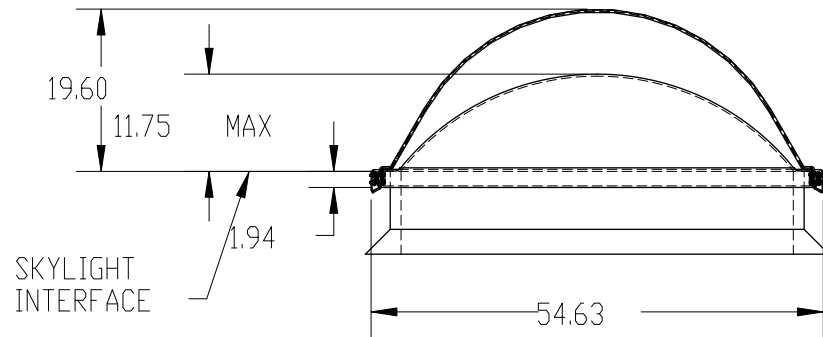
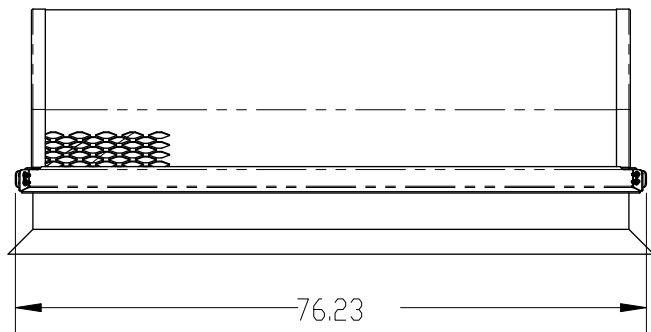


SKYLIGHT OUTSIDE DIMENSION RANGE



SKYLIGHT INTERFACE

REVISION BLOCK		DATE /#	MAT'L DESC.	FRONT R. SIDE		GARLOCK EQUIPMENT CO.	
L	DESCRIPTION OF REVISION			FRONT	R. SIDE	52 X 74 SCREENGUARD	
					TOLERANCES U.D.S. 0.00 ± 0.03 0.000 ± 0.005 ANGLE ± 0.50 °		SIZE Δ DO NOT SCALE DRAWING
			MAT'L		DWN. SCJ	DATE 04/11/14	SCALE 1:24
			NO.				
			PART				
			WGT.				
				THIS DOCUMENT CONTAINS CONFIDENTIAL, PROPRIETARY INFORMATION OF GARLOCK EQUIPMENT CO. AND IS NOT TO BE DISCLOSED TO OTHERS			