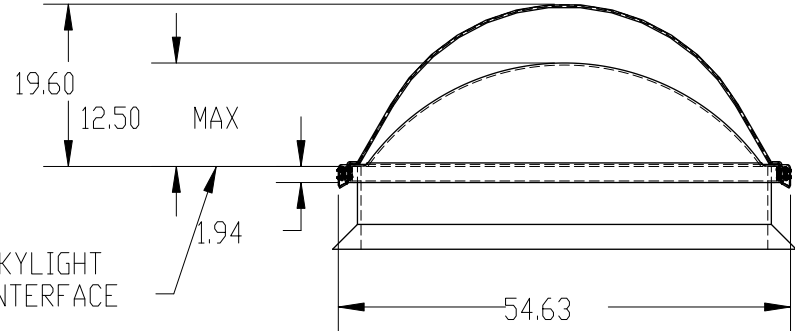
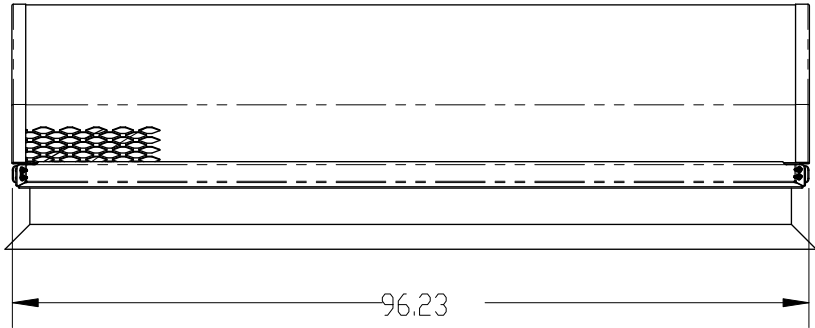


SKYLIGHT OUTSIDE DIMENSION RANGE



SKYLIGHT INTERFACE

REVISION BLOCK		DATE /#	MAT'L DESC.	FRONT R. SIDE		GARLOCK EQUIPMENT CO.	
L	DESCRIPTION OF REVISION			FRONT	R. SIDE	52 X 94 SCREENGUARD	
					TOLERANCES U.D.S. 0.00 ± 0.03 0.000 ± 0.005 ANGLE ± 0.50 °		SIZE A
			MAT'L NO. PART WGT.		DWN. SCJ DATE 04/11/14	SCALE 1:24	DO NOT SCALE DRAWING
							THIS DOCUMENT CONTAINS CONFIDENTIAL, PROPRIETARY INFORMATION OF GARLOCK EQUIPMENT CO. AND IS NOT TO BE DISCLOSED TO OTHERS