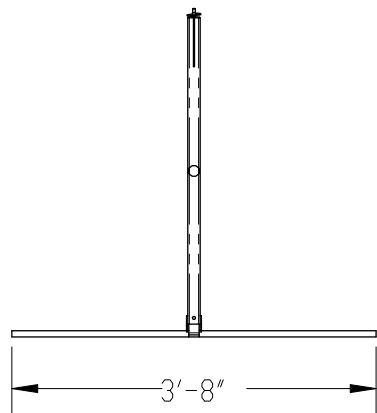
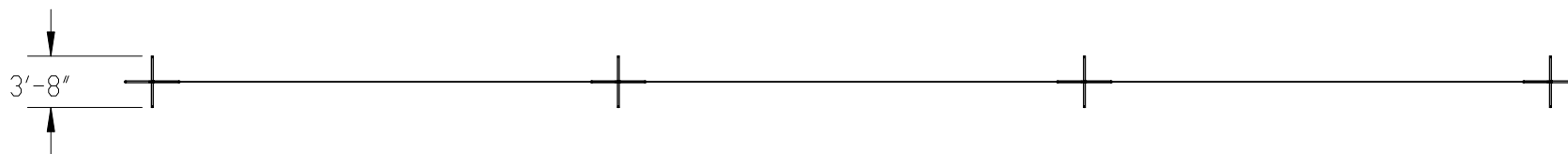
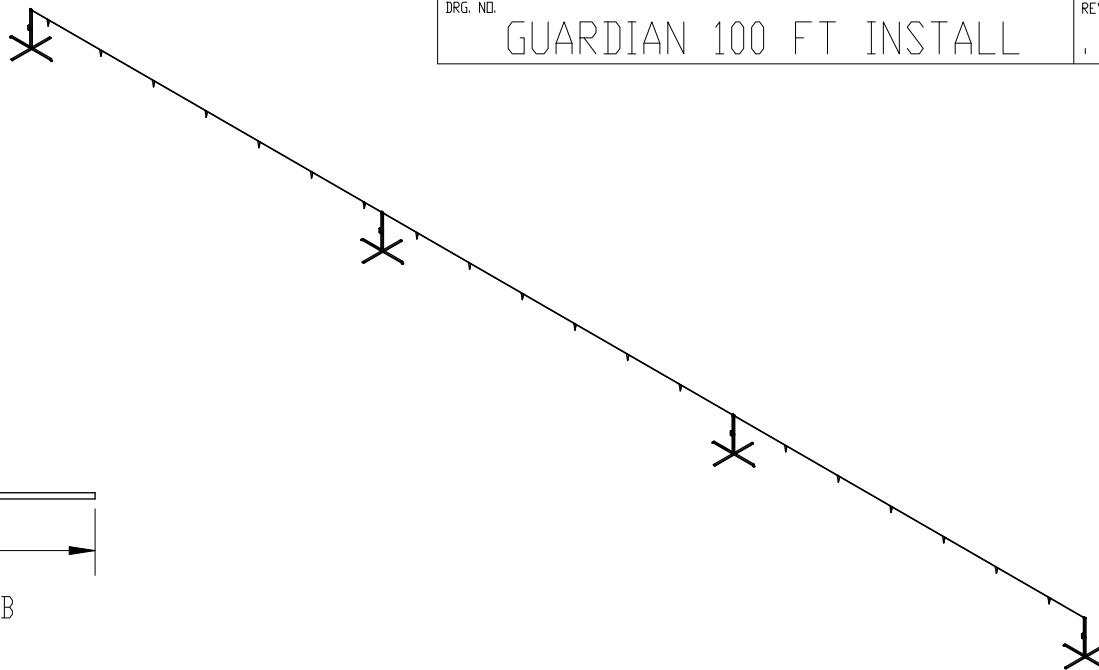


DETAIL A  
SCALE 1 : 24

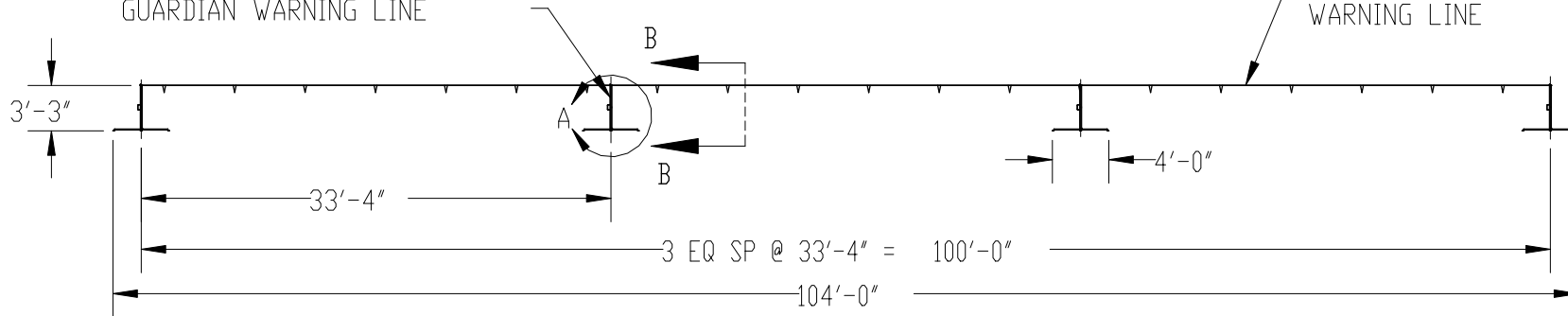


SECTION B-B  
SCALE 1 : 24



STANCHION ASSEMBLY -  
GUARDIAN WARNING LINE

GUARDIAN  
WARNING LINE



REVISION BLOCK		MAT'L DESC.	FRONT R. SIDE		GARLOCK EQUIPMENT CO.	
L	DESCRIPTION OF REVISION		DATE /#		GUARDIAN WARNING LINE - 100 FT INSTALL	
				TOLERANCES U.D.S.	SIZE	DO NOT SCALE DRAWING
				0.00 ± 0.03	A	
				0.000 ± 0.005	SCALE	THIS DOCUMENT CONTAINS CONFIDENTIAL PROPRIETARY INFORMATION OF GARLOCK EQUIPMENT CO. AND IS NOT TO BE DISCLOSED TO OTHERS
				ANGLE ± 0.50 °	1:160	
				DWN. SCJ	DATE 04/11/14	