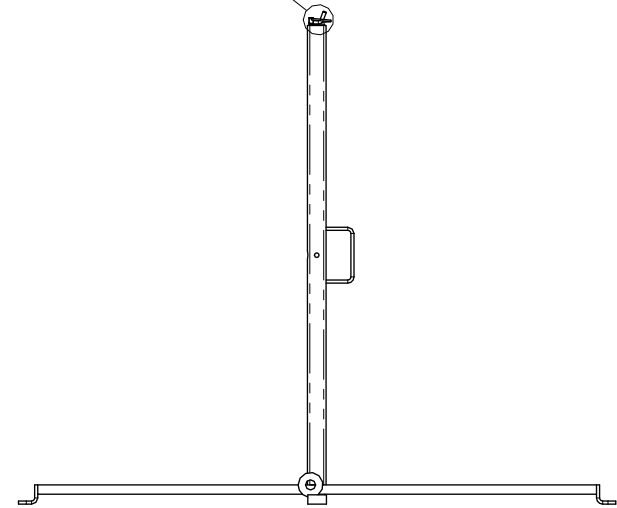
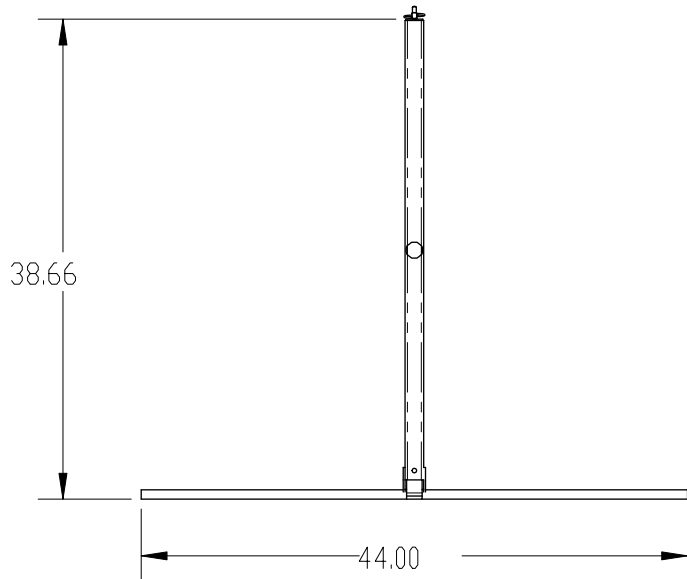


DETAIL A
SCALE 1 : 2



REVISION BLOCK			MAT'L DESC.			GARLOCK EQUIPMENT CO.	
L	DESCRIPTION OF REVISION	DATE /#		FRONT	R. SIDE	GUARDIAN WARNING LINE STANCHION	
			MAT'L	TOLERANCES U.D.S.		SIZE	DO NOT SCALE DRAWING
			NO.	0.00 ± 0.03		A	
			PART	0.000 ± 0.005			SCALE
			WGT.	ANGLE ± 0.50 °		1:16	THIS DOCUMENT CONTAINS CONFIDENTIAL, PROPRIETARY INFORMATION OF GARLOCK EQUIPMENT CO. AND IS NOT TO BE DISCLOSED TO OTHERS
			DWN.	DATE			
			SCJ	04/11/14			