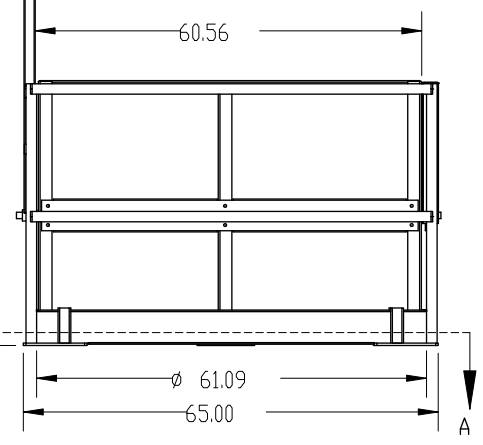
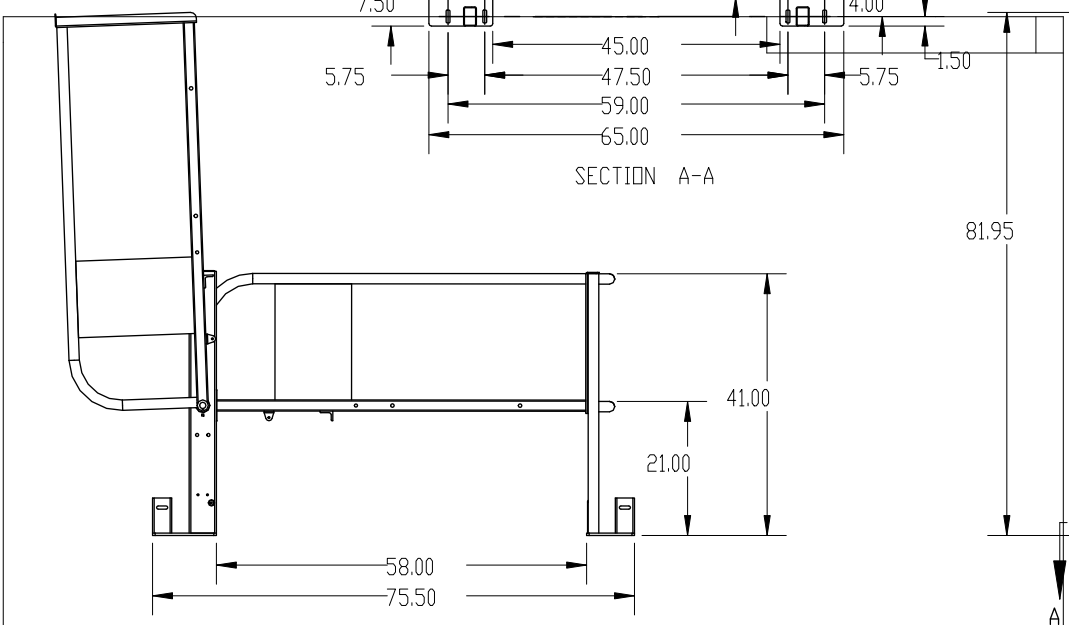


DRG. NO.

# LEDGEGUARD

REV.



REVISION BLOCK  
L DESCRIPTION OF REVISION DATE /# MAT'L DESC.

NO.	DATE	DESCRIPTION	MAT'L	PART	WT.

FRONT R. SIDE  
TOLERANCES U.O.S.  
0.00 ± 0.03  
0.000 ± 0.005  
ANGLE ± 0.50 °  
DWNL DATE  
SCJ 04/14/14

SIZE A  
SCALE 1:24

GARLOCK  
EQUIPMENT CO.  
LEDGEGUARD STD  
MEZZANINE GATE

THIS DOCUMENT CONTAINS  
CONFIDENTIAL PROPRIETARY  
INFORMATION OF GARLOCK  
EQUIPMENT CO. AND IS NOT  
TO BE DISCLOSED TO OTHERS