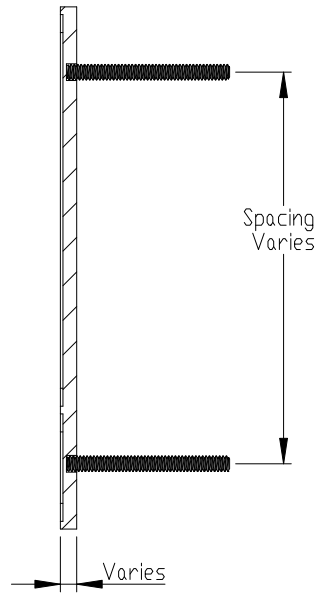
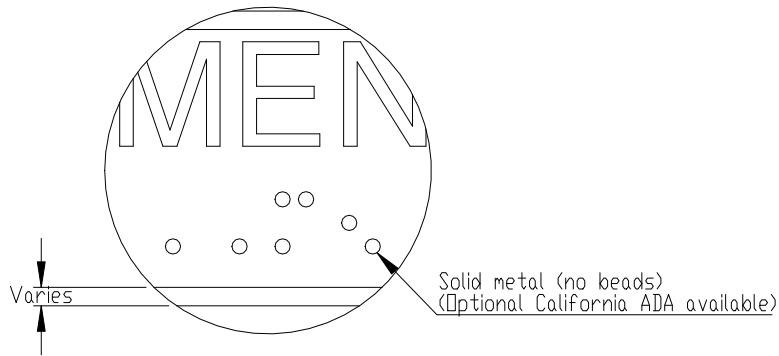


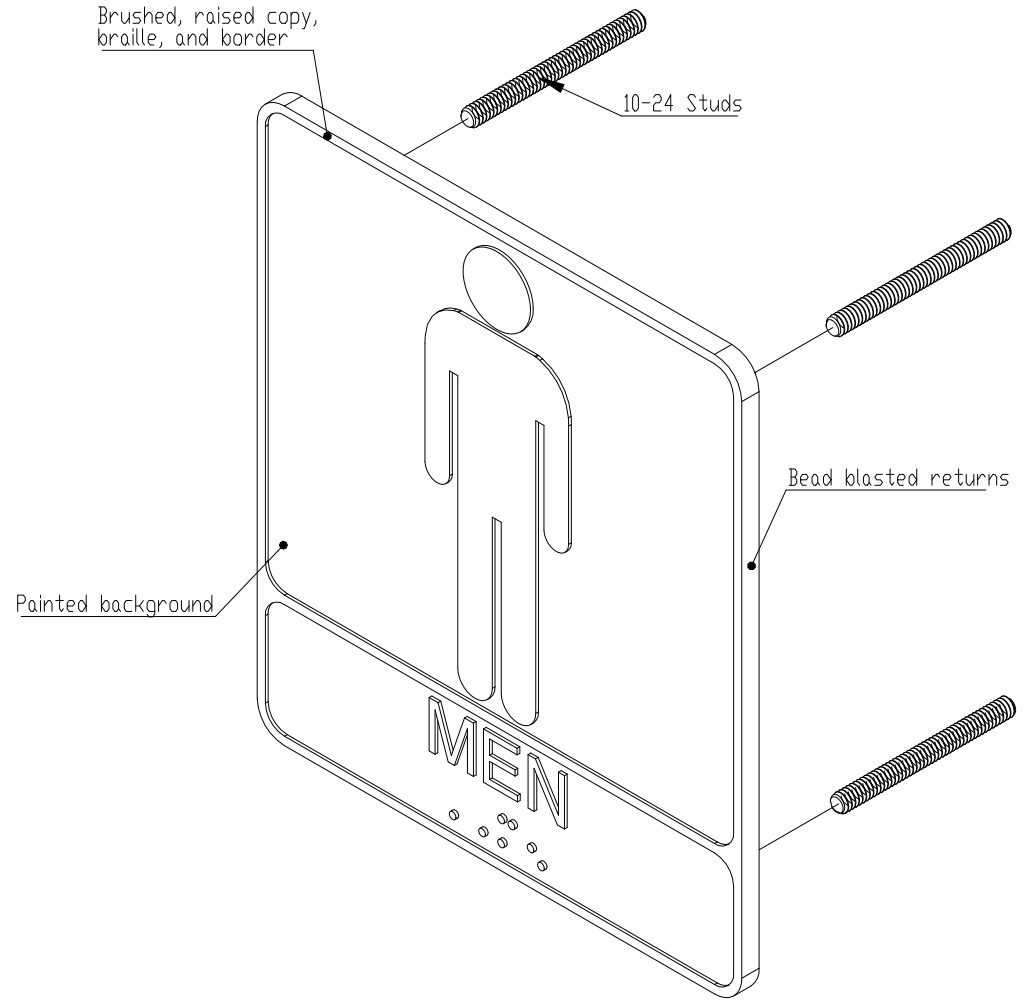
FRONT VIEW II SCALE 1:3



SECTION VIEW A-A II SCALE 1:3



DETAIL DW II SCALE 1:1.25



ISOMETRIC VIEW II SCALE 1:2

NOTES:
 Raised ADA - Standard 7"x 8 1/2"x 0.25"
 Stripple or sand background
 Aluminum, bronze, brass
 Multiple standard styles or custom



TITLE: ADA/WAYFINDING PLAQUE - STUD MOUNT			
MATERIAL: METAL		PRODUCT TYPE: METAL PLAQUES	
DWG NO. ADAW10	REV 01/27/15	SCALE: AS INDICATED	SHEET 1 OF 1