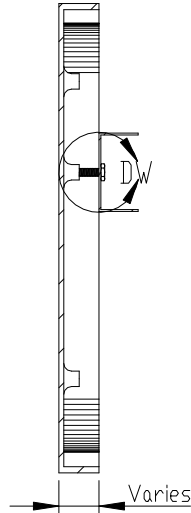
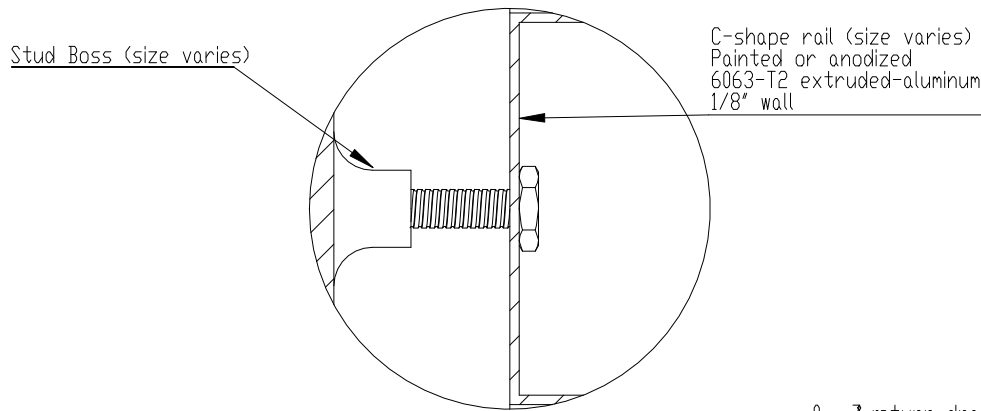


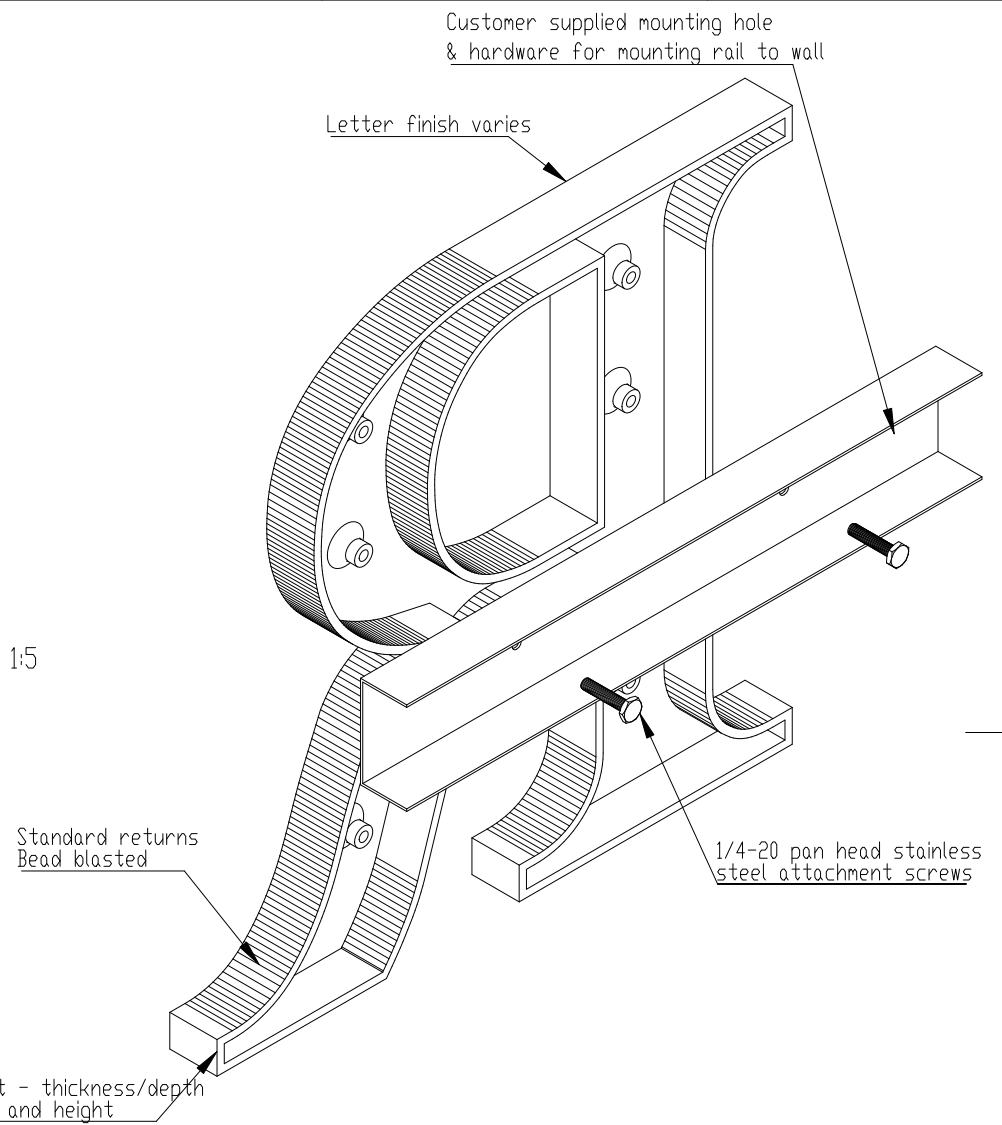
FRONT VIEW II SCALE 1:5



SECTION VIEW A-A II SCALE 1:5



DETAIL DW II SCALE 1:1



ISOMETRIC BACK VIEW II SCALE 1:3

NOTES:

- Letters 4"-8" mounted by word, max. 96" rails
- Standard catalog styles or customer per vector art. Flat faced/round/prismatic profile options. Typical 3/16" - 1/4" wall thickness on hollow back letters/logos.
- Letters or logos, standard or custom
- C-Channel (rail)
- 1/2" deep x 1" or 1 1/2" wide x 96" long, painted or anodized
- 1" deep x 2" or 3" wide x 96" long, painted or anodized
- Rails pre-assembled for fit, larger letters may ship loose
- Rail Mounting
- C-channel rails are designed to be mounted to load bearing structures, holes and location to be determined by installer (rail mounting hardware not included)



TITLE:			
CAST METAL SINGLE RAIL MOUNT			
MATERIAL:		PRODUCT TYPE:	
ALUMINUM OR BRONZE		CAST METAL	
DWG NO. CAST50	REV 10/27/16	SCALE: AS INDICATED	SHEET 1 OF 1