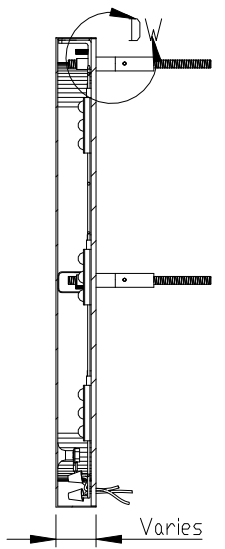
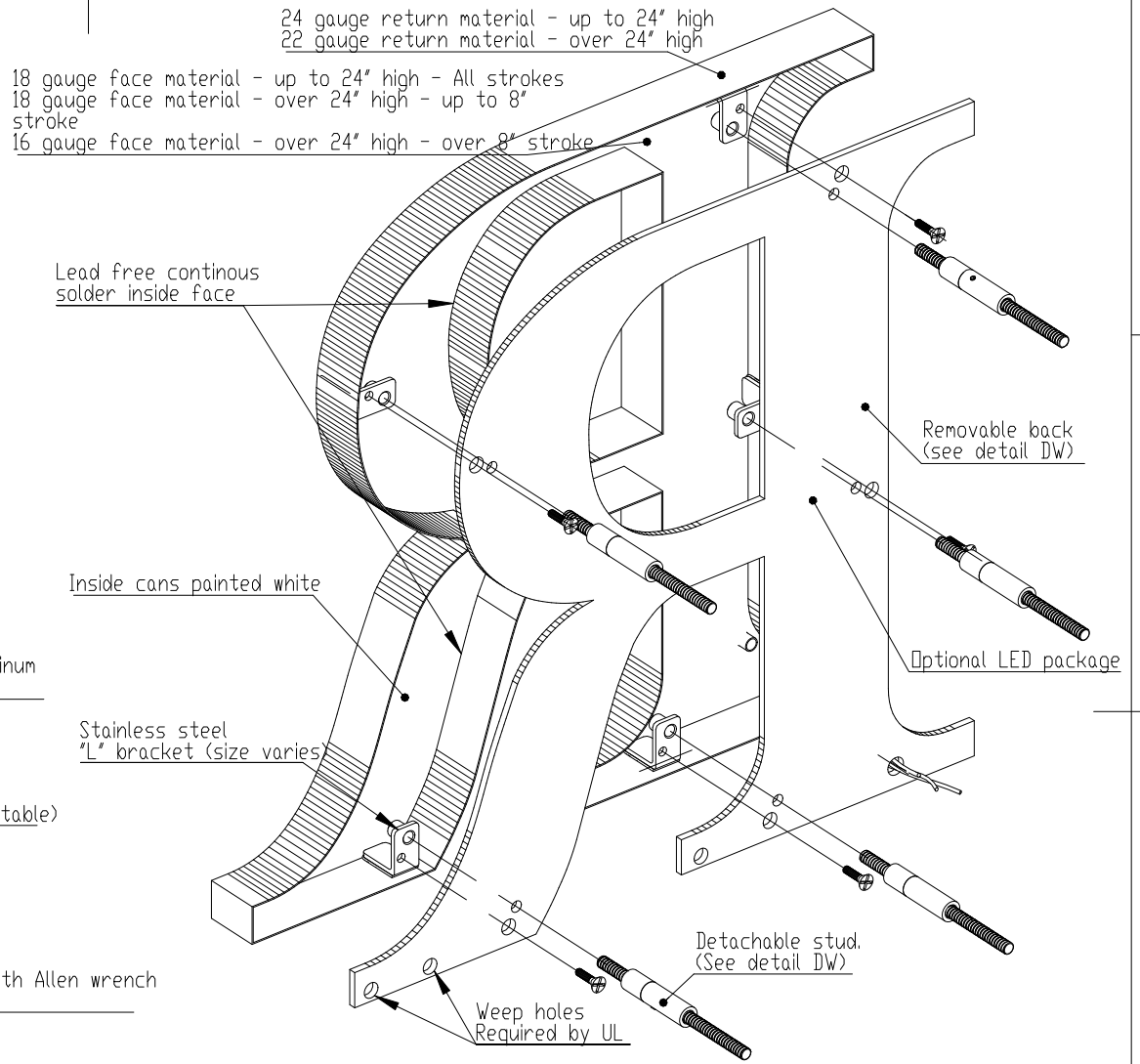


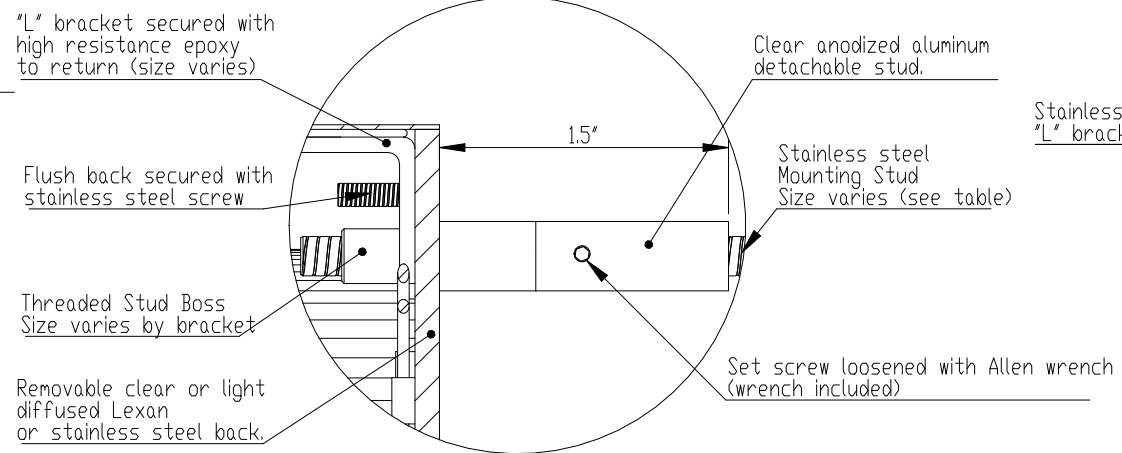
BACK VIEW II SCALE 1:5



SECTION A-A II SCALE 1:5



ISOMETRIC BACK VIEW II SCALE 1:3



DETAIL DW II SCALE 1:1

LETTER SIZE	MIN. DEPTH	STUD	BRACKET
up to 6"	0.6"	6 - 32	Small
over 6" to 24"	1.0"	10 - 24	Medium
over 24"	1.75"	1/4 - 20	Large

Notes:
 - Minimum 1" stroke for LEDs.
 - Lead wires or optional cable wire available.
 - Optional: UL listed - LED halo lit package shown.

BACK OPTIONS
 - Clear Lexan: 6-24" high - 0.118 thick, over 24" - 0.236" thick
 - Light diffused Lexan: 0.177" thick

MATERIAL OPTIONS
 Standard - 304 prefinished stainless steel
 Optional - 316 prefinished stainless steel (more corrosion resistant)
 - 304 prefinished stainless with titanium coating



TITLE: METAL FACE WITH BACK - LED - DETACHABLE STUD			
MATERIAL: STAINLESS STEEL		PRODUCT TYPE: FABRICATED METAL	
DWG NO. FAB190	REV 05/07/15	SCALE: AS INDICATED	SHEET 1 OF 1