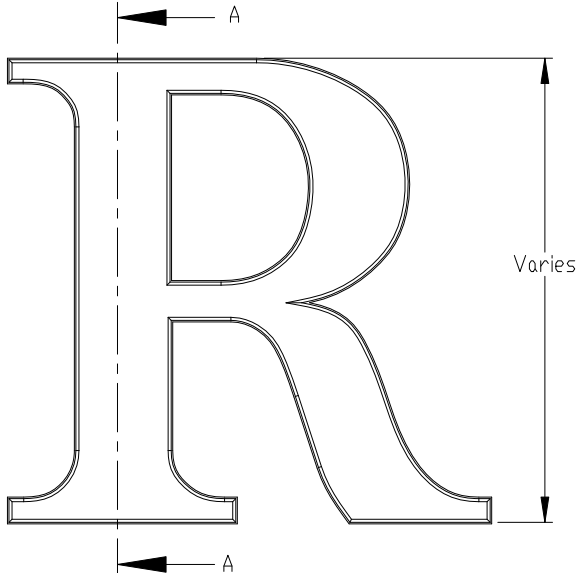
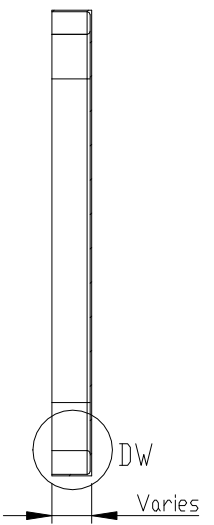


PRODUCT CONSTRUCTION EXAMPLE

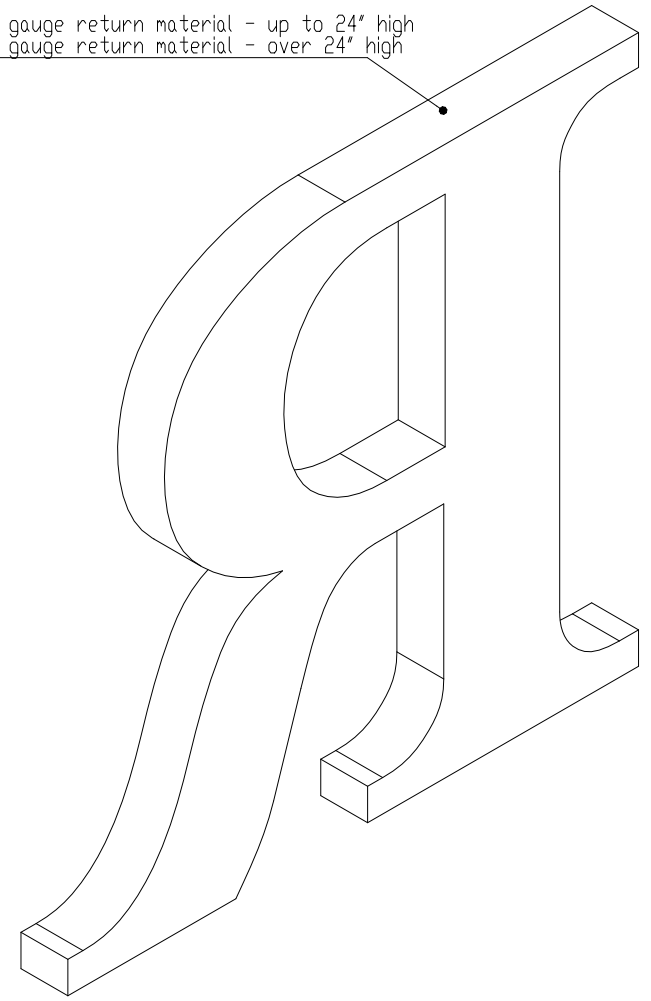


FRONT VIEW II SCALE 1:5

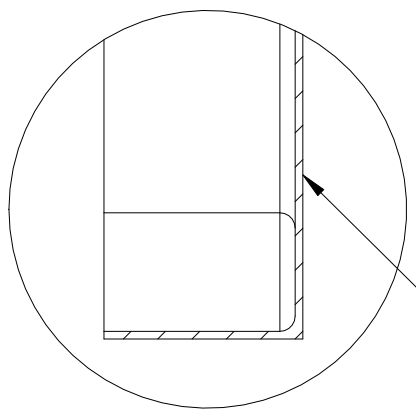


SECTION A-A II SCALE 1:5

24 gauge return material - up to 24" high  
22 gauge return material - over 24" high



ISOMETRIC BACK VIEW II SCALE 1:3



Stainless steel back soldered to return  
Optional - Painted back.

DETAIL DW II SCALE 1:1

**MATERIAL OPTIONS**  
Standard - 304 prefinished stainless steel  
Optional - 316 prefinished stainless steel (more corrosion resistant)  
          - 304 prefinished stainless with titanium coating



TITLE: OPEN FACE WITH METAL BACK - NO MOUNT			
MATERIAL: STAINLESS STEEL		PRODUCT TYPE: FABRICATED METAL	
DWG NO. FABL260	REV 11/29/16	SCALE: AS INDICATED	SHEET 1 OF 1