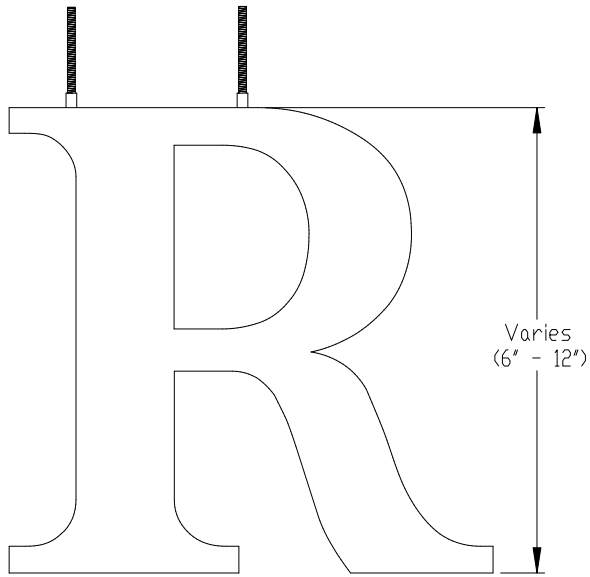
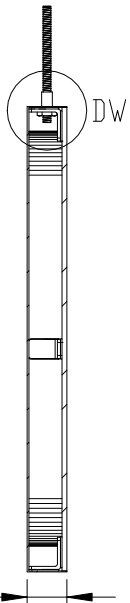


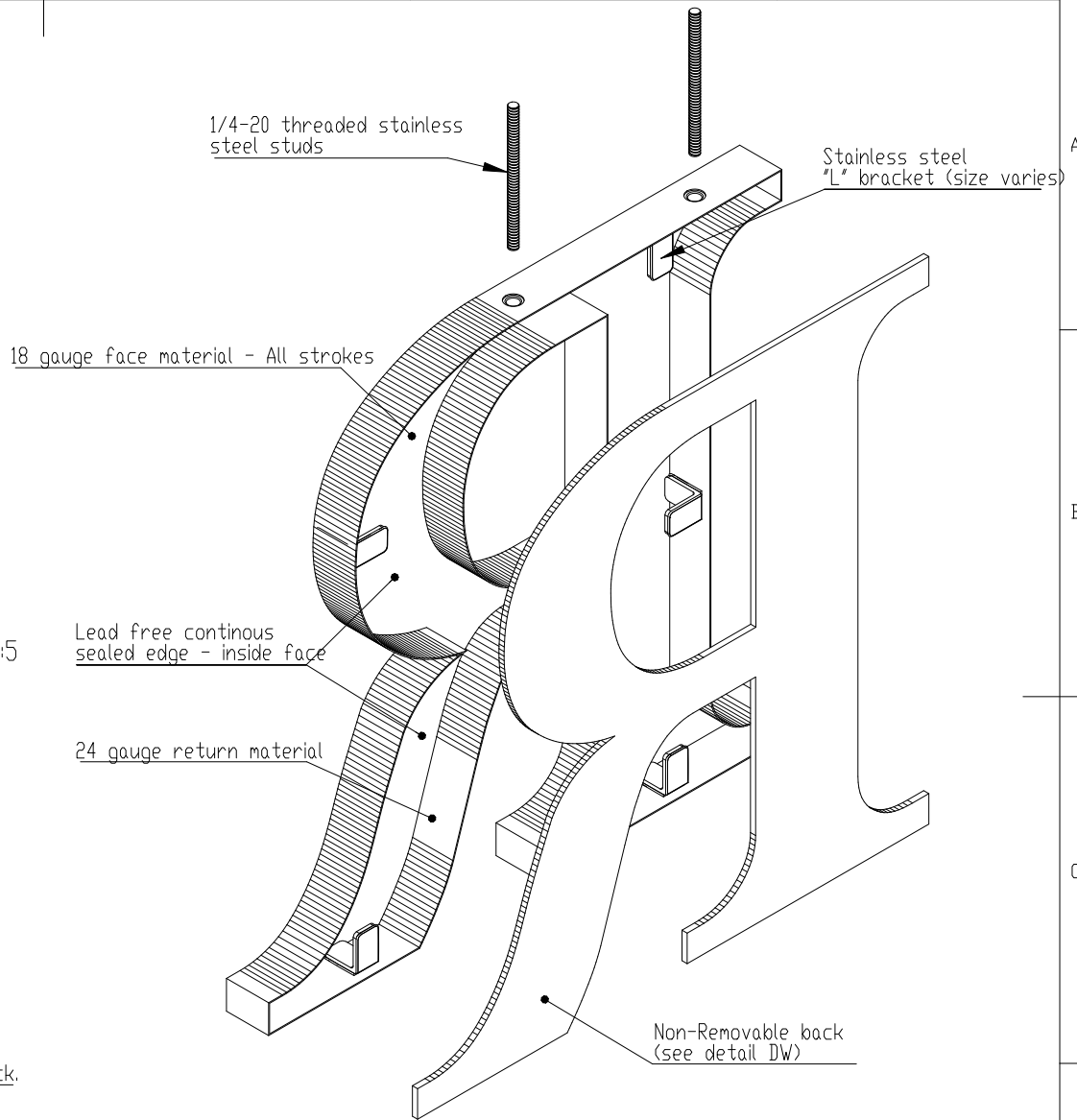
PRODUCT CONSTRUCTION EXAMPLE



FRONT VIEW II SCALE 1:5



SECTION VIEW A-A II SCALE 1:5



ISOMETRIC BACK VIEW II SCALE 1:3

Optional spacer sleeve (size varies)

"L" bracket secured with high resistance epoxy to return and back

Stainless steel Hex nut (size varies) Soldered to inside of return

Stainless steel mounting stud (size varies)

Non-Removable stainless steel back.

DETAIL DW II SCALE 1:1

NOTES:

- Tie backs required (not supplied) on letters > 8" high

BACK OPTIONS

- Stainless steel - same gauge as face

MATERIAL OPTIONS

Standard - 304 prefinished stainless steel

Optional - 316 prefinished stainless steel (more corrosion resistant)

- 304 prefinished stainless with titanium coating



TITLE: METAL FACE WITH NON-REMOVABLE BACK TOP STUD MOUNT			
MATERIAL: STAINLESS STEEL		PRODUCT TYPE: FABRICATED METAL	
DWG NO. FABL280	REV 12/2/16	SCALE: AS INDICATED	SHEET 1 OF 1