

1 2 3 4 5 6

A

A

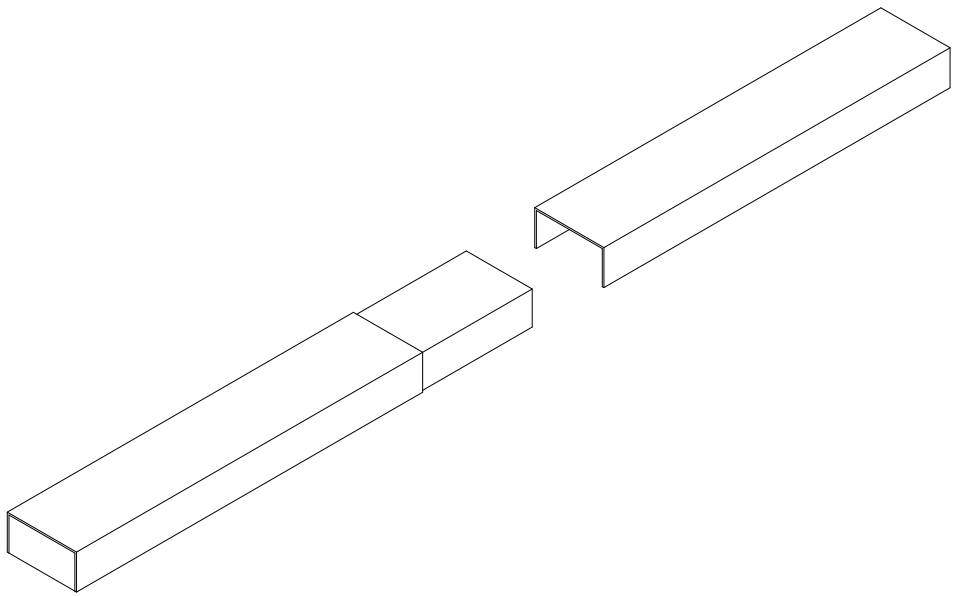
B

B

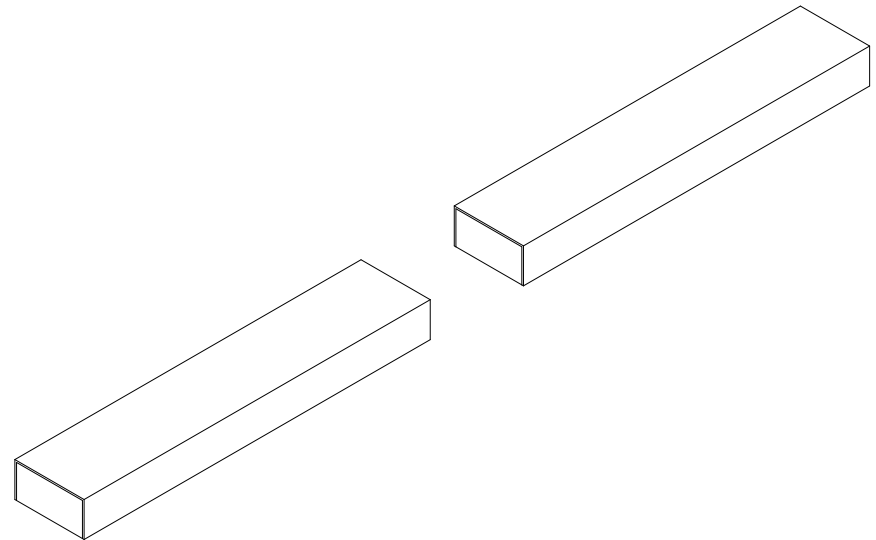
C

C

D



ISOMETRIC VIEW SPLICE JOINT II SCALE 1:4



ISOMETRIC VIEW BUTT JOINT II SCALE 1:4 (OPTIONAL)

NOTES:

- Larger pieces and longer bars which cannot be manufactured in one piece will be produced with a splice joint.(Unless otherwise specified on order).
- LIT or NON-LIT products.



TITLE:			
FABRICATED JOINT OPTIONS			
MATERIAL:	STAINLESS STEEL	PRODUCT TYPE:	FABRICATED METAL
DWG NO. FABL290	REV 05/15/15	SCALE: AS INDICATED	SHEET 1 OF 1

1 2 3 4 5 6