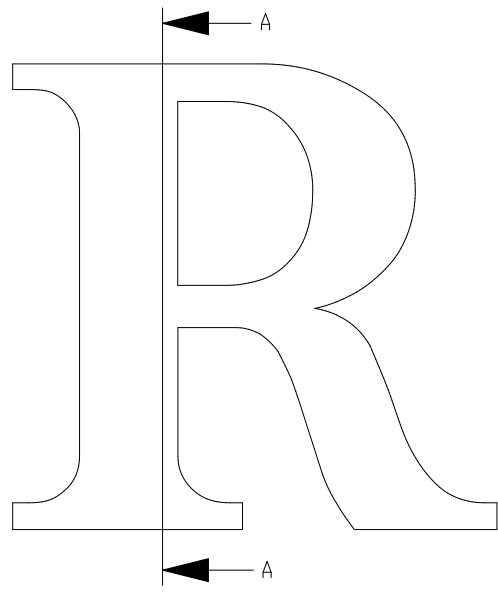
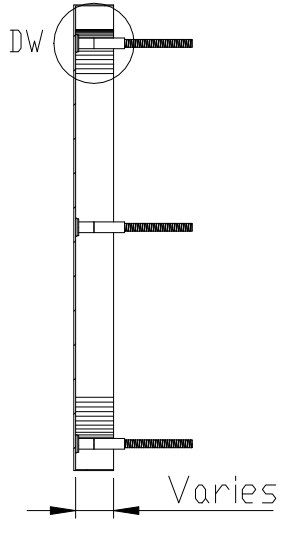


PRODUCT CONSTRUCTION EXAMPLE

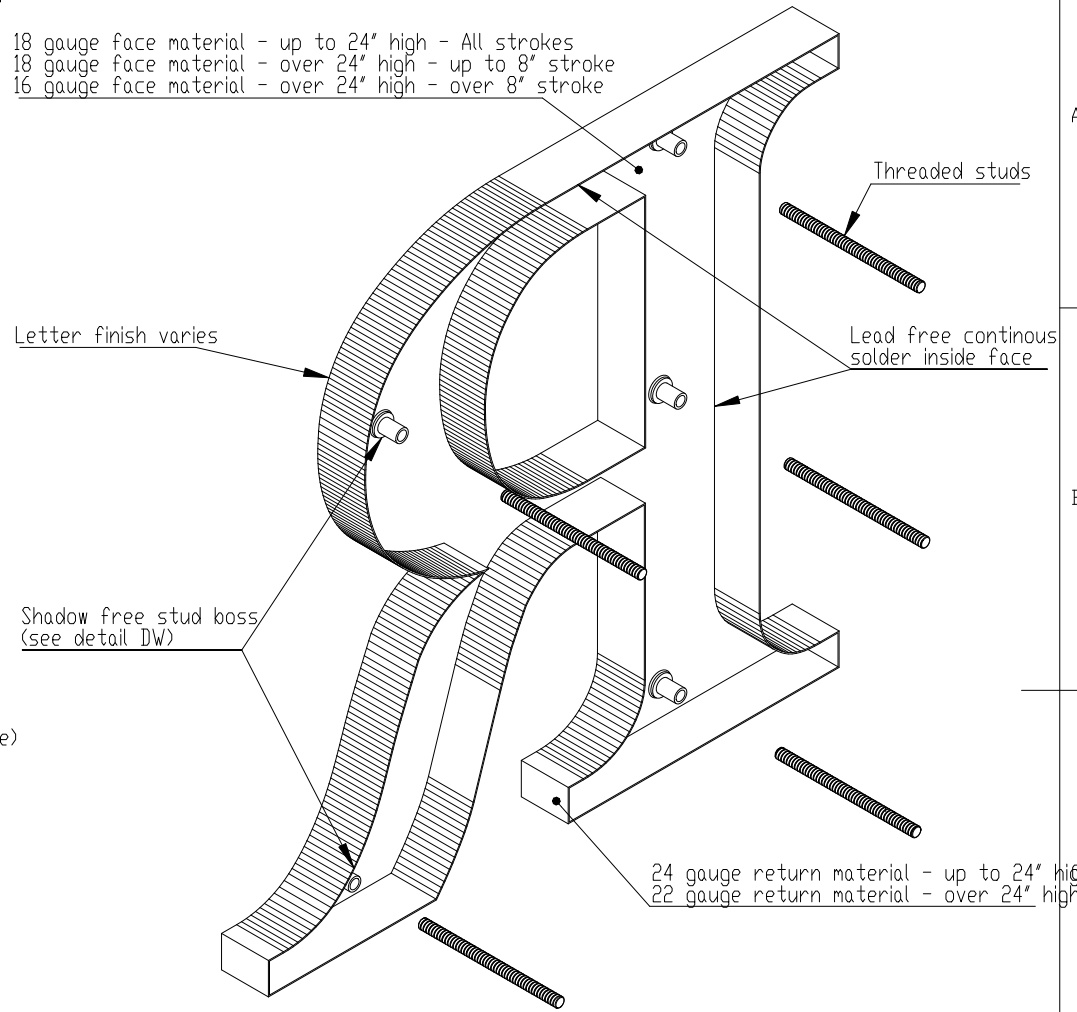


FRONT VIEW II SCALE 1:5

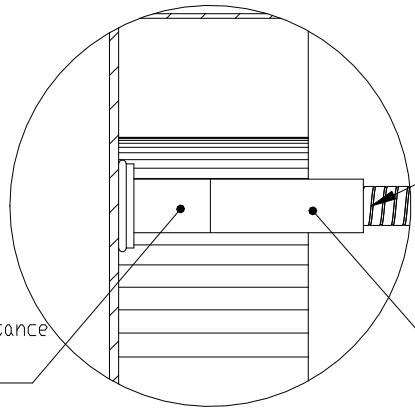


SECTION A-A II SCALE 1:5

18 gauge face material - up to 24" high - All strokes
 18 gauge face material - over 24" high - up to 8" stroke
 16 gauge face material - over 24" high - over 8" stroke



ISOMETRIC BACK VIEW II SCALE 1:3



DETAIL DW II SCALE 1:1

Shadow free stud boss secured with high resistance epoxy to back of face
 Size varies (see table)

Optional spacer sleeve (size varies)

Stainless steel Mounting stud
 Size varies (see table)

Shadow free stud boss (see detail DW)

Letter finish varies

Threaded studs

Lead free continuous solder inside face

24 gauge return material - up to 24" high
 22 gauge return material - over 24" high

| LETTER SIZE | MIN. STROKE | PAD | STUD |
|-----------------|-------------|------|----------------|
| up to 12" | 0.75" | 19mm | Small 10 - 24 |
| over 12" to 24" | 1.25" | 31mm | Large 1/4 - 20 |

NOTES:
 - Min. 3/8" stroke
 - 2" - 4" high, return grain will be in long direction
 MATERIAL OPTIONS
 Standard - 304 prefinished stainless steel
 Optional - 316 prefinished stainless steel (more corrosion resistant)
 - 304 prefinished stainless with titanium coating



| | |
|--|-----------------------------------|
| TITLE: METAL FACE NO BACK - SHADOW FREE MOUNT | |
| MATERIAL: STAINLESS STEEL | PRODUCT TYPE: FABRICATED METAL |
| DWG No. FABL30 | REV. 03/13/17 |
| SCALE: AS INDICATED | SHEET 1 OF 1 |