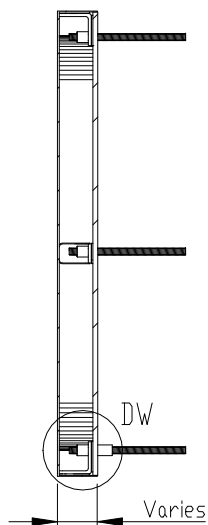


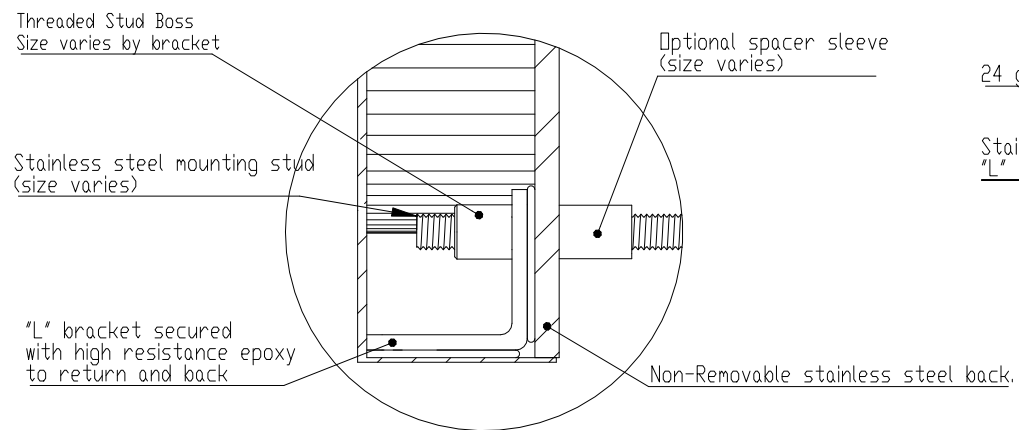
PRODUCT CONSTRUCTION EXAMPLE



FRONT VIEW II SCALE 1:5



SECTION VIEW A-A II SCALE 1:5



DETAIL DW II SCALE 1:1

18 gauge face material - All strokes

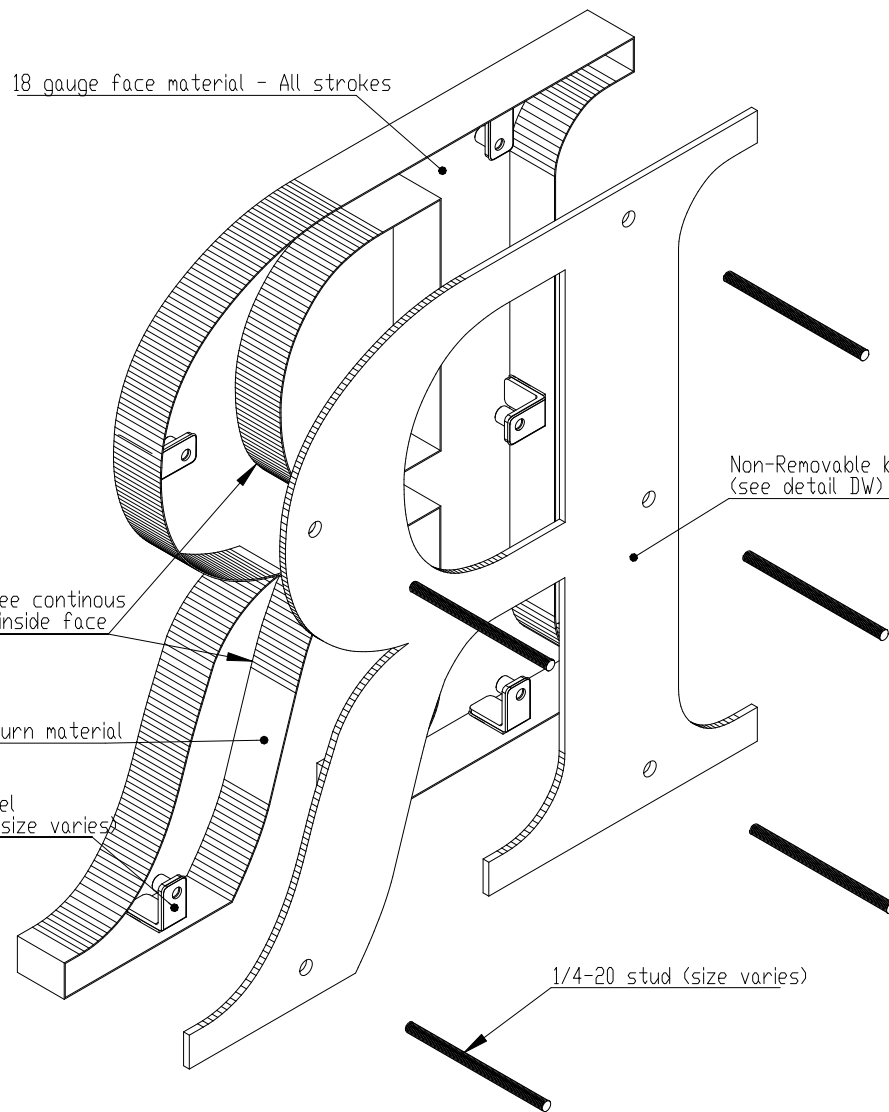
lead free continuous solder inside face

24 gauge return material

Stainless steel "L" bracket (size varies)

Non-Removable back (see detail DW)

1/4-20 stud (size varies)



ISOMETRIC BACK VIEW II SCALE 1:3

- BACK OPTIONS**
 - Stainless steel - same gauge as face (optional: 1/8" thick metal back)
- MATERIAL OPTIONS**
 Standard - 304 prefinished stainless steel
 Optional - 316 prefinished stainless steel (more corrosion resistant)
 - 304 prefinished stainless with titanium coating



TITLE: METAL FACE W/NON-REMOVABLE BACK STUD MOUNT			
MATERIAL: STAINLESS STEEL		PRODUCT TYPE: FABRICATED METAL	
DWG NO. FABL300	REV 11/29/16	SCALE: AS INDICATED	SHEET 1 OF 1