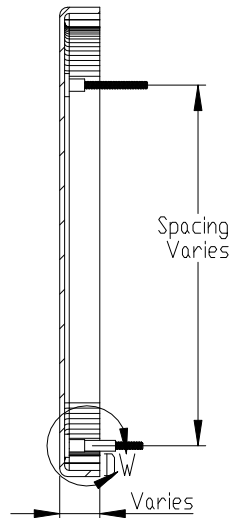
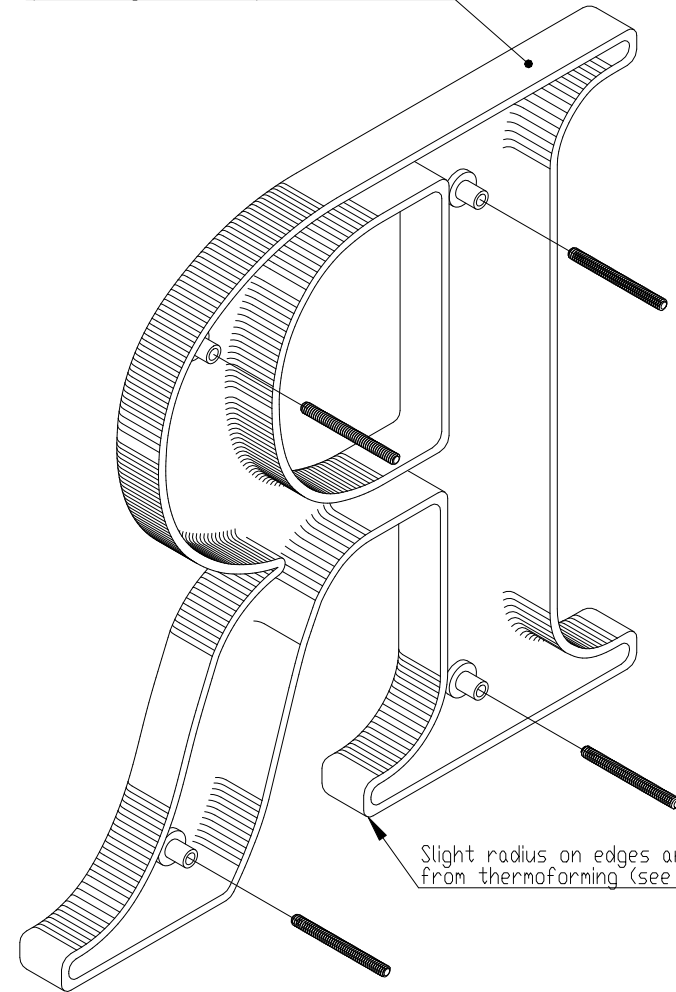


FRONT VIEW II SCALE 1:5

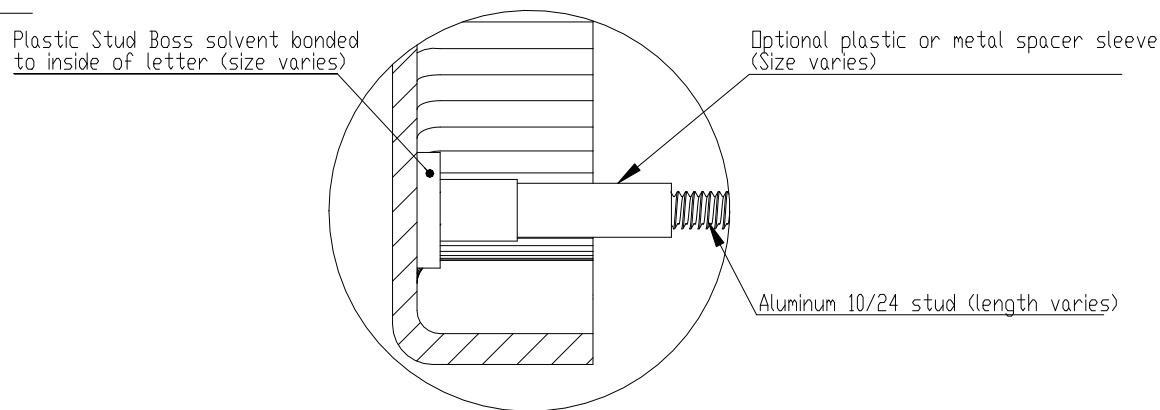


SECTION VIEW A-A II SCALE 1:5

Optional: Pigmented or painted face + return



ISOMETRIC BACK VIEW II SCALE 1:3



DETAIL DW II SCALE 1:1

Plastic Stud Boss solvent bonded to inside of letter (size varies)

Optional plastic or metal spacer sleeve (Size varies)

Aluminum 10/24 stud (length varies)

Slight radius on edges and corners from thermoforming (see detail DW)



NOTES:  
Typical stud length 2" beyond back of letter

TITLE: FORMED PLASTIC - STUD MOUNT			
MATERIAL: PLASTIC		PRODUCT TYPE: PLASTIC LETTERS	
DWG NO. FORM10	REV 02/24/15	SCALE: AS INDICATED	SHEET 1 OF 1