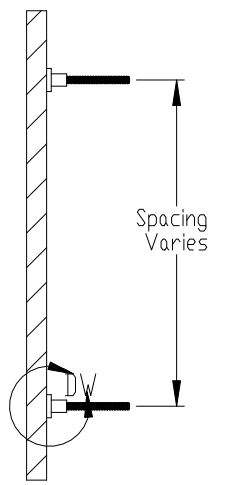
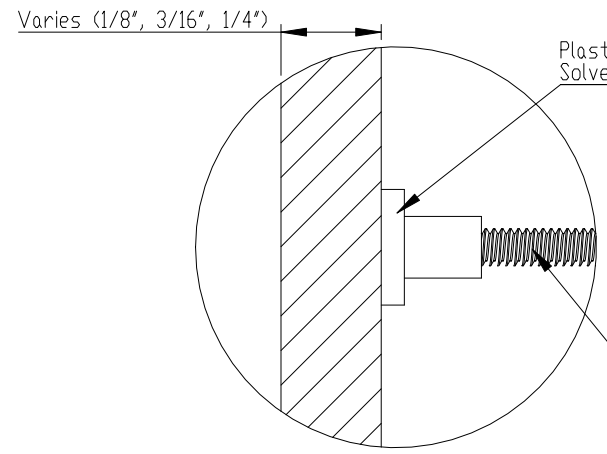


FRONT VIEW II SCALE 1:5



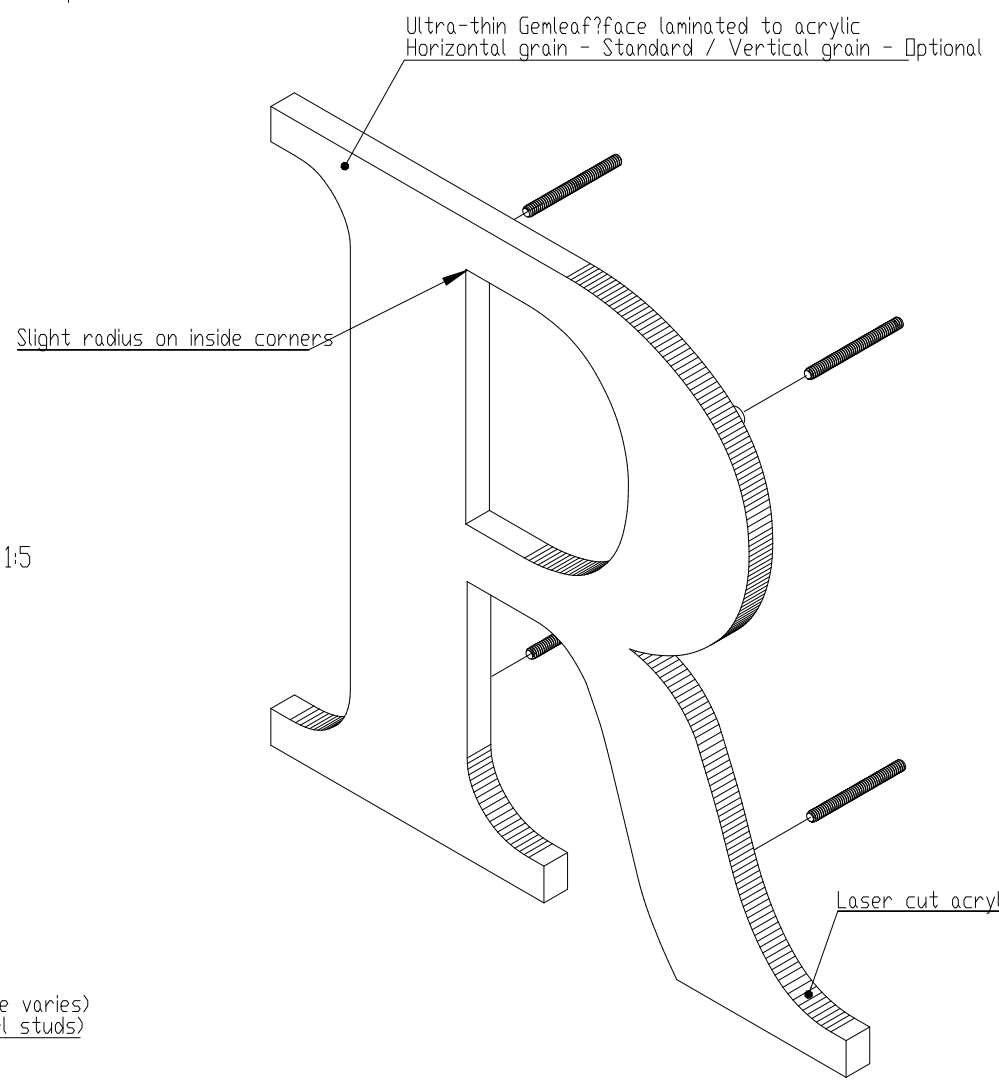
SECTION VIEW A-A II SCALE 1:5



DETAIL DW II SCALE 1:1

Plastic stud boss (size varies)
Solvent bonded to letter back

Aluminum 10/24 stud (size varies)
(Optional: Stainless steel studs)



ISOMETRIC BACK VIEW II SCALE 1:3



Notes:
Interior use only.
Multiple face/back finish and color options.

TITLE: GEMLEAF?- STUD MOUNT			
MATERIAL: ACRYLIC		PRODUCT TYPE: DISPLAY LETTERS	
DWG NO. GLEA10	REV 01/30/15	SCALE: AS INDICATED	SHEET 1 OF 1