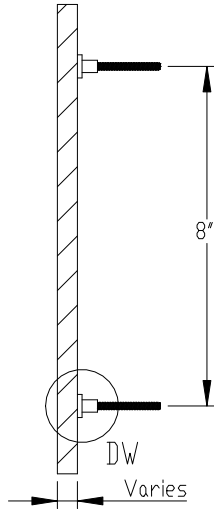
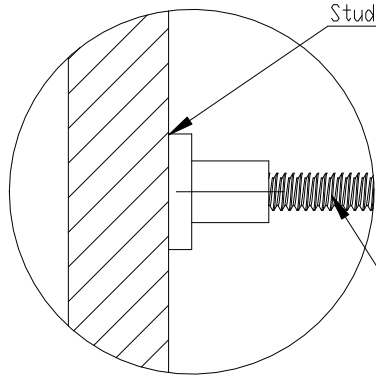


FRONT VIEW II SCALE 1 : 5



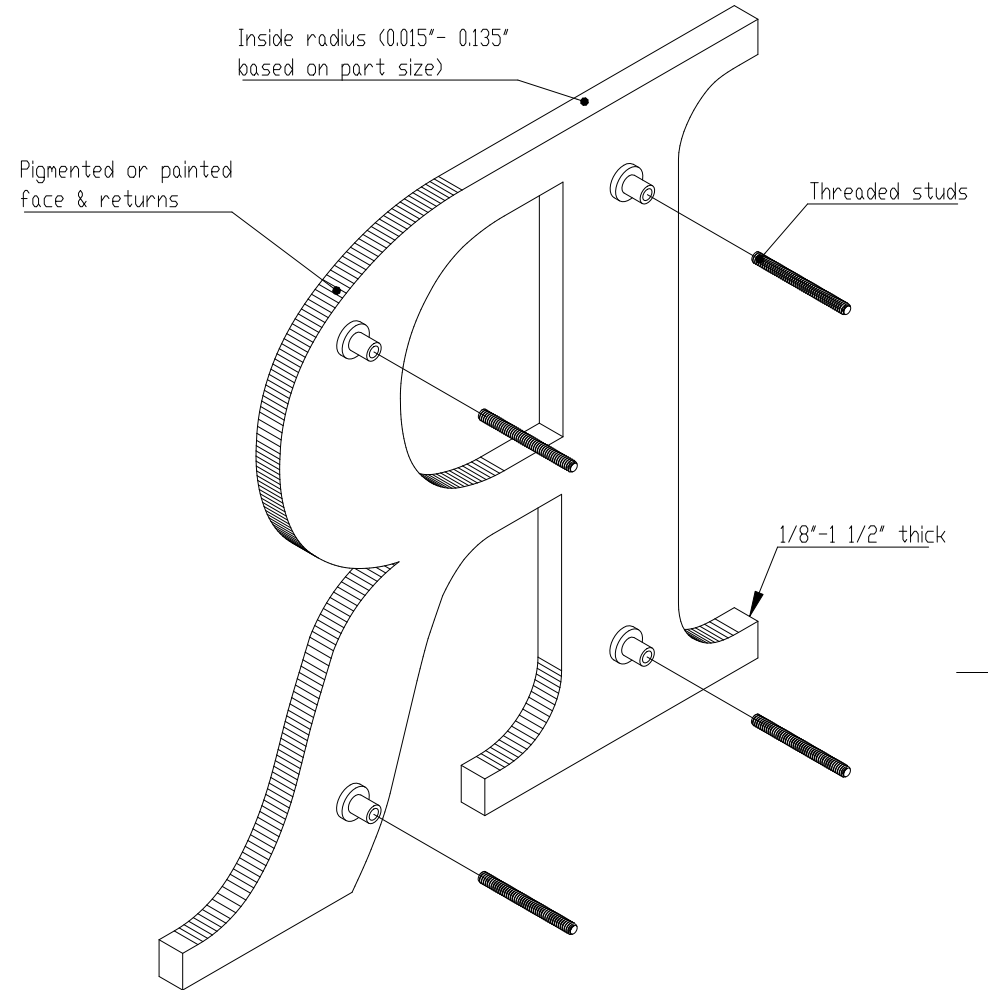
SECTION A-A II SCALE 1 : 5



DETAIL DW II SCALE 1 : 1

Stud boss solvent bonded to letter backs

2" aluminum 10-24 studs standard
(Stainless steel optional)



ISOMETRIC BACK VIEW II SCALE 1 : 3

NOTES:

- Designed for interior use
- Stud blocks aligned 8" on center, in horizontal rows, to align with block mortar joints
- Stud length 2" beyond back of letter- optional longer studs and/or spacers
- Optional flush stud for block (min. 3/8" thick)
- Standard Gemini letter styles or per vector art



TITLE: LASER CUT ACRYLIC - STUD FOR BLOCK MOUNT			
MATERIAL: ACRYLIC		PRODUCT TYPE: PLASTIC LETTERS	
DWG NO. LASR90	REV. 1/29/2018	SCALE: AS INDICATED	SHEET 1 OF 1