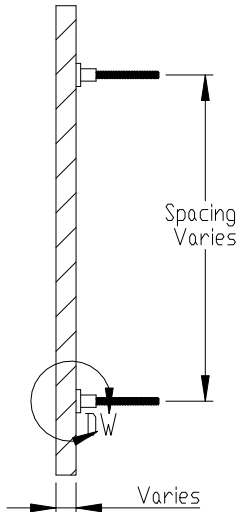
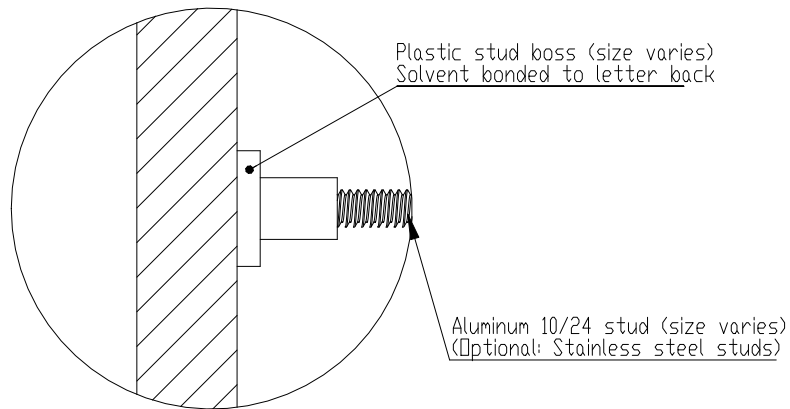


FRONT VIEW II SCALE 1:5



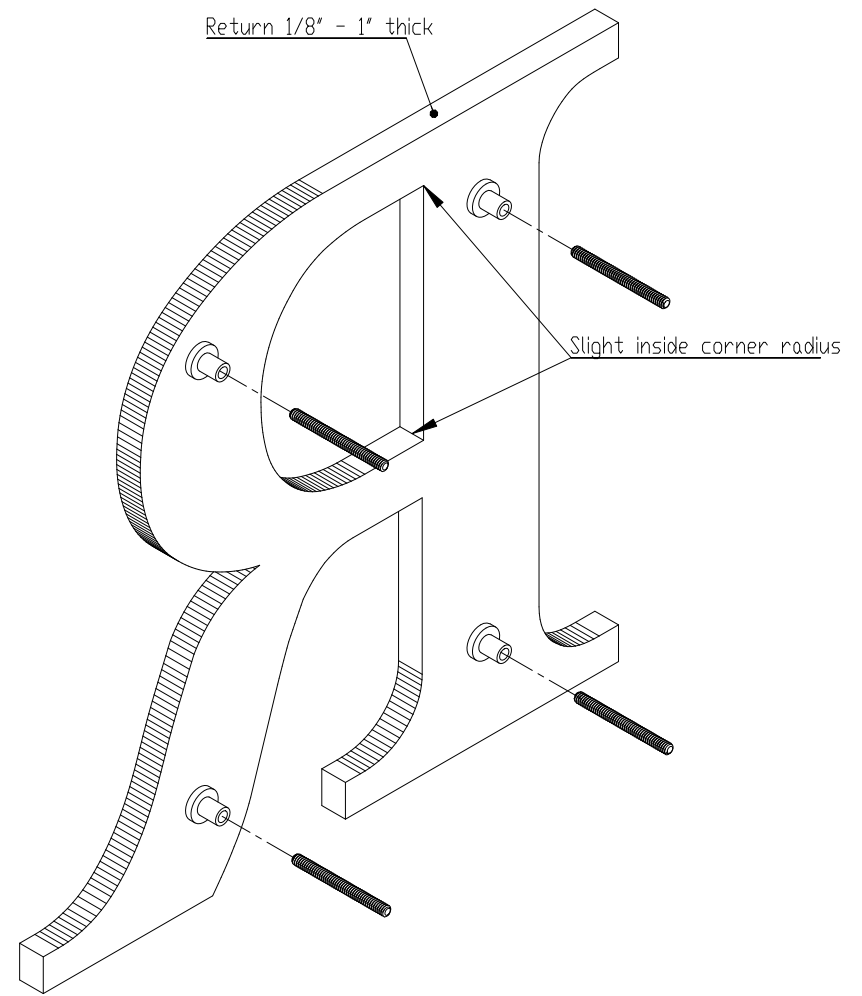
SECTION VIEW A-A II SCALE 1:5



DETAIL DW II SCALE 1:1

Plastic stud boss (size varies)
Solvent bonded to letter back

Aluminum 10/24 stud (size varies)
(Optional: Stainless steel studs)



ISOMETRIC BACK VIEW II SCALE 1:3



Notes:
Flush stud available - Min 3/8" thick
Standard pigmented colors or painted custom colors

TITLE: LASER CUT ACRYLIC - STUD MOUNT			
MATERIAL: PLASTIC		PRODUCT TYPE: PLASTIC LETTERS	
DWG NO. LASR10	REV 01/27/15	SCALE: AS INDICATED	SHEET 1 OF 1