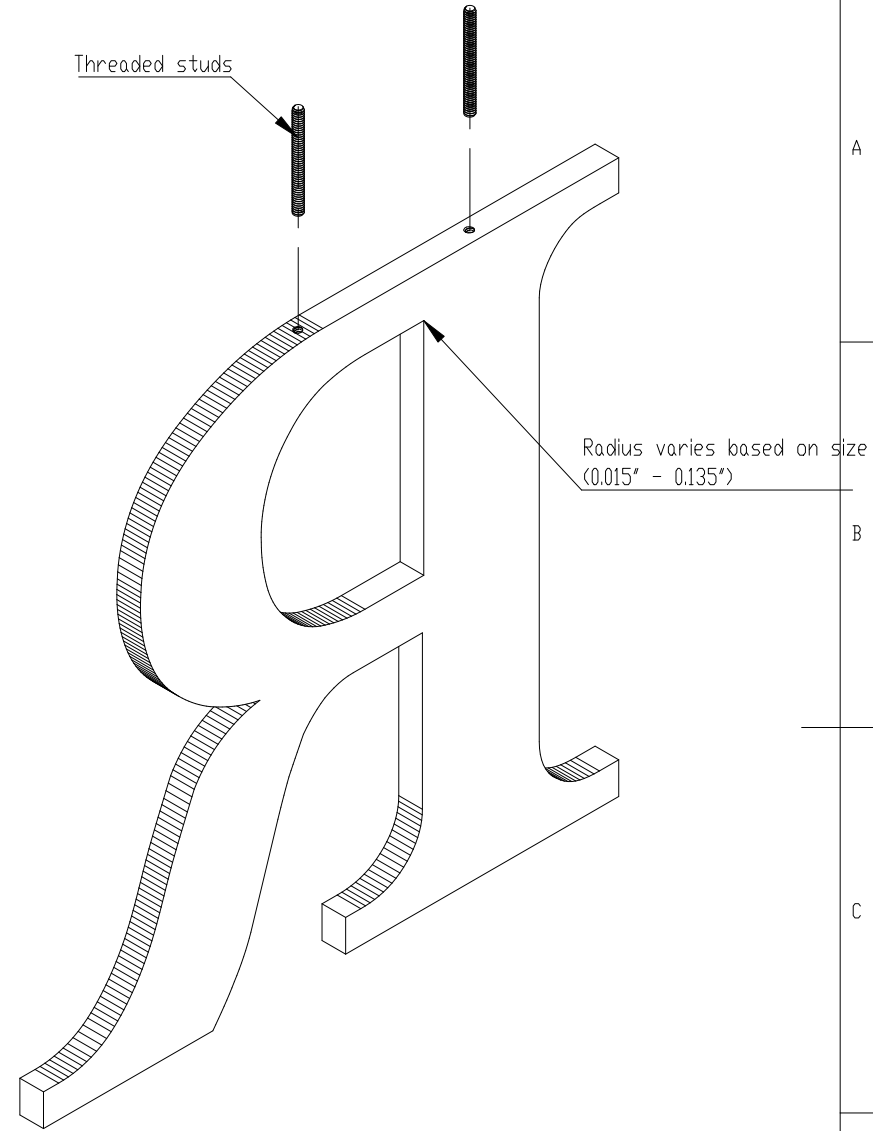


DETAIL DW SCALE 3 : 5



NOTES:

- Min. 3/8" thick, drilled and tapped
- 2 studs per letter
- Aluminum 10/24 studs- (Stainless steel - optional)
- Available gauges (3/8", 1/2", 3/4", 1", 1 1/2" thick)
- Pigmented acrylic or sprayed with acrylic polyurethane paint
- Tie backs recommended on letters over 8" high (not supplied)
- Standard Gemini letter styles or per vector art.



TITLE: LASER CUT ACRYLIC - DRILLTAP TOP STUD MOUNT	
MATERIAL: IMPACT MODIFIED ACRYLIC	PRODUCT TYPE: PLASTIC LETTERS
DWG NO. LASR140	REV. 1/29/2018
SCALE: AS INDICATED	SHEET 1 OF 1