

A

B

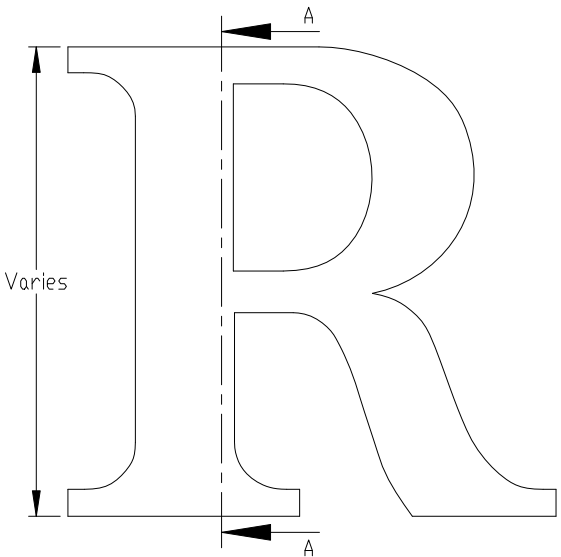
C

D

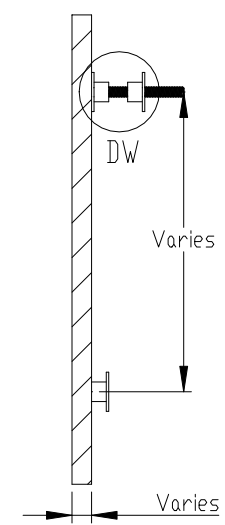
A

B

C

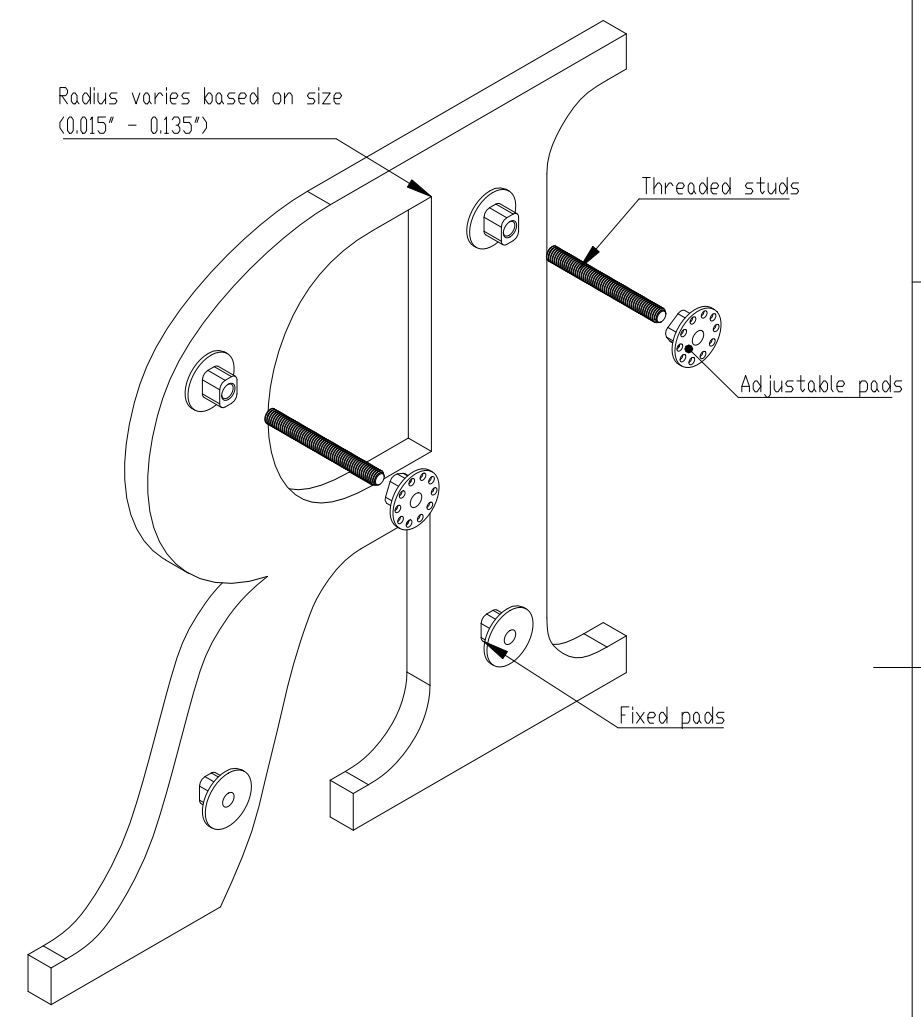


BACK VIEW II SCALE 1:5



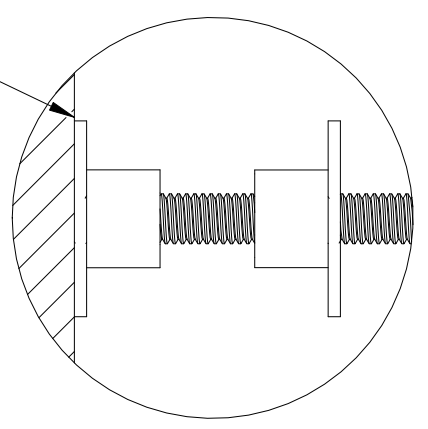
SECTION A-A II SCALE 1:5

Radius varies based on size  
(0.015" - 0.135")



ISOMETRIC VIEW II SCALE 1:3

Stud blocks solvent bonded to letter backs



DETAIL DW II SCALE 1:1

- NOTES:**
- Min. 6" high letters
  - Smaller letter will have solid pads on bottom mounts
  - Combination mount has stud through pads on the top mounts and pads only on bottom mounts
  - Min. 3/8" stroke
  - Aluminum 10/24 studs (stainless steel optional)
  - Available gauges (1/8", 3/16", 1/4", 3/8", 1/2", 3/4", 1", 1 1/2" thick)
  - Pigmented acrylic or sprayed with acrylic polyurethane paint
  - Standard Gemini letter styles or per vector art



TITLE: LASER CUT ACRYLIC - COMBINATION MOUNT			
MATERIAL: IMPACT MODIFIED ACRYLIC		PRODUCT TYPE: PLASTIC LETTERS	
DWG NO. LASR40	REV 09/06/16	SCALE: AS INDICATED	SHEET 1 OF 1