

1

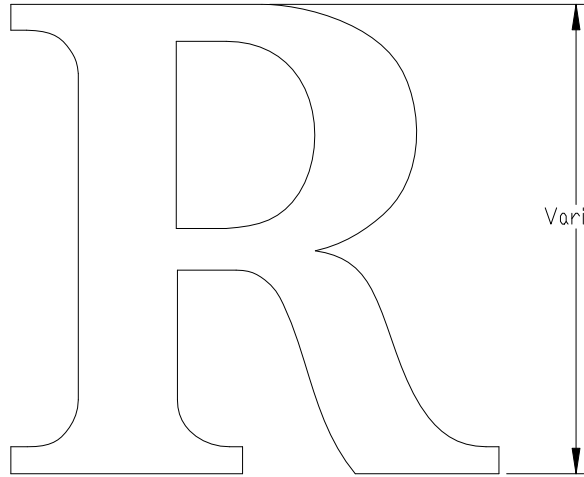
2

3

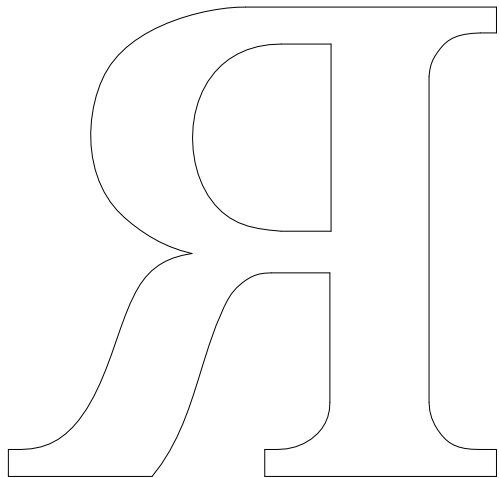
4

5

6



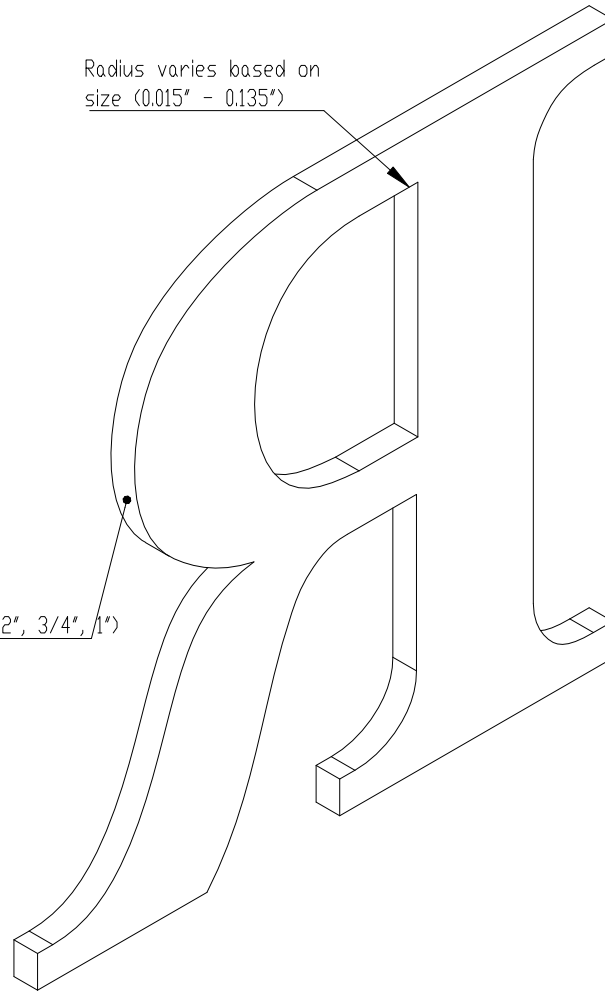
FRONT VIEW II SCALE 1:5



BACK VIEW II SCALE 1:5

Radius varies based on
size (0.015" - 0.135")

Thickness varies
(1/8", 3/16", 1/4", 3/8", 1/2", 3/4", 1")



ISOMETRIC BACK VIEW II SCALE 1:3

NOTES:

- Impact modified acrylic - Laser cut
- Standard Gemini letter styles or per vector art
- Min. 0.25" stroke
- Available gauges (1/8", 3/16", 1/4", 3/8", 1/2", 3/4", 1", 1 - 1/2" thick)
- Pigmented acrylic or sprayed with acrylic polyurethane paint



TITLE: LASER CUT ACRYLIC - PLAIN			
MATERIAL: IMPACT MODIFIED ACRYLIC		PRODUCT TYPE: PLASTIC LETTERS	
DWG NO. LASR70	REV 09/15/16	SCALE: AS INDICATED	SHEET 1 OF 1

1

2