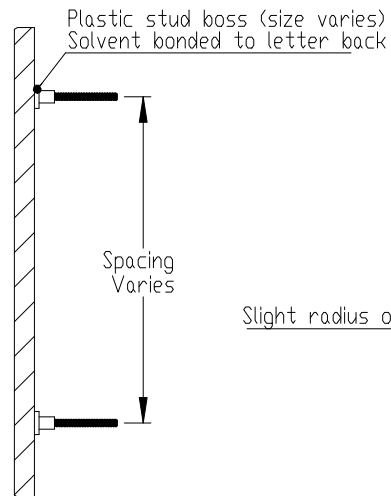
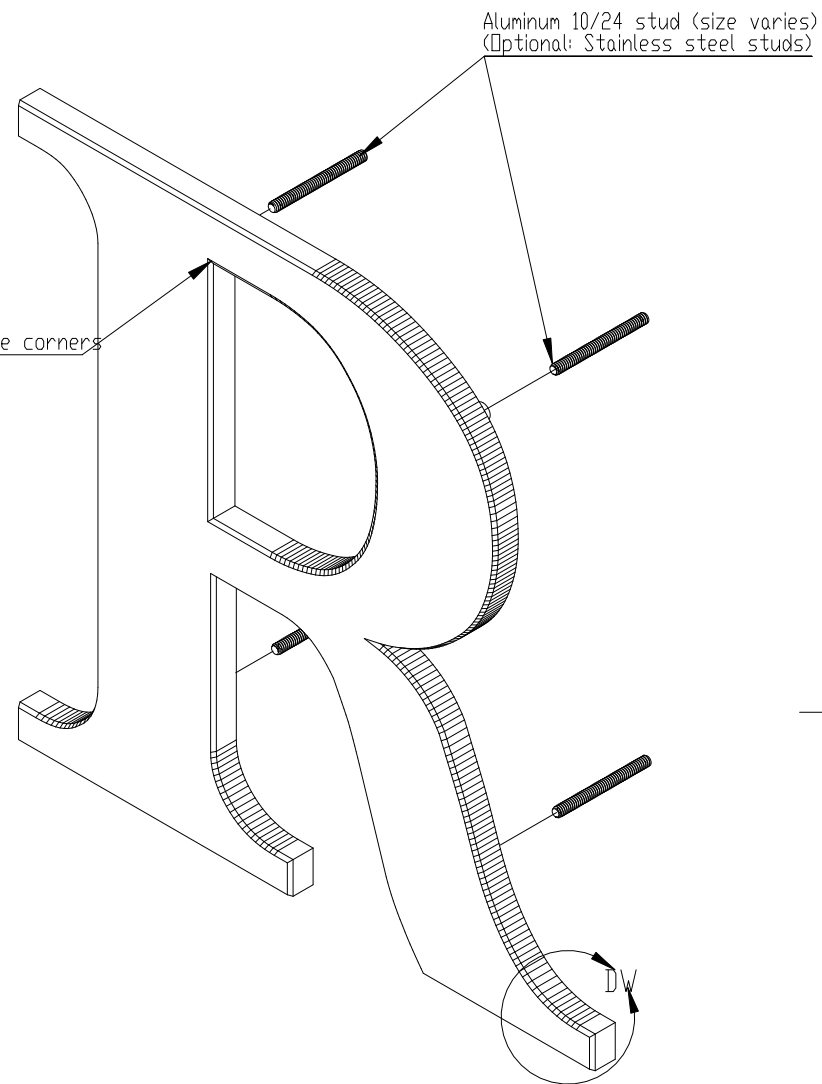


FRONT VIEW II SCALE 1:5



SECTION VIEW A-A II SCALE 1:5

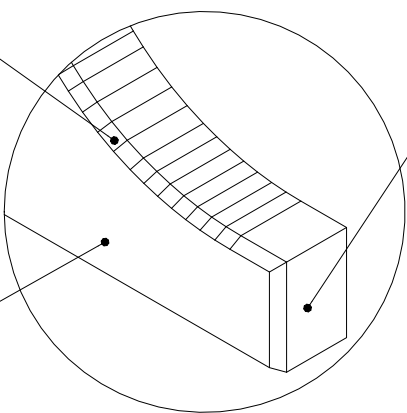


ISOMETRIC VIEW II SCALE 1:3

Unfinished metal laminate edge
(0.30 thick)

Router cut acrylic base
(1/8" - 1" thick)

Optional face finish
Horizontal grain - Standard
Vertical grain - Optional



DETAIL DW II SCALE 1:1



Notes:
Interior use only.
Flush stud available - Min 3/8" thick
Multiple face/back finish and color options.

TITLE: METAL LAMINATE - STUD MOUNT			
MATERIAL: ACRYLIC		PRODUCT TYPE: DISPLAY LETTERS	
DWG NO. MLAM10	REV 01/30/15	SCALE: AS INDICATED	SHEET 1 OF 1