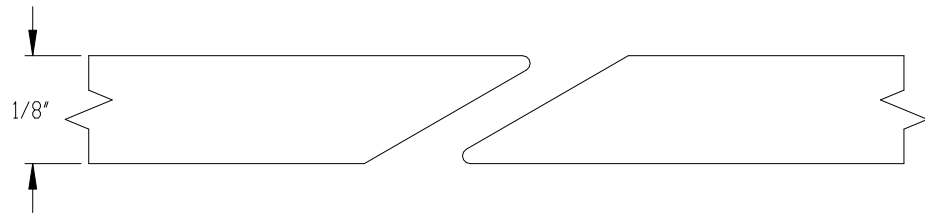
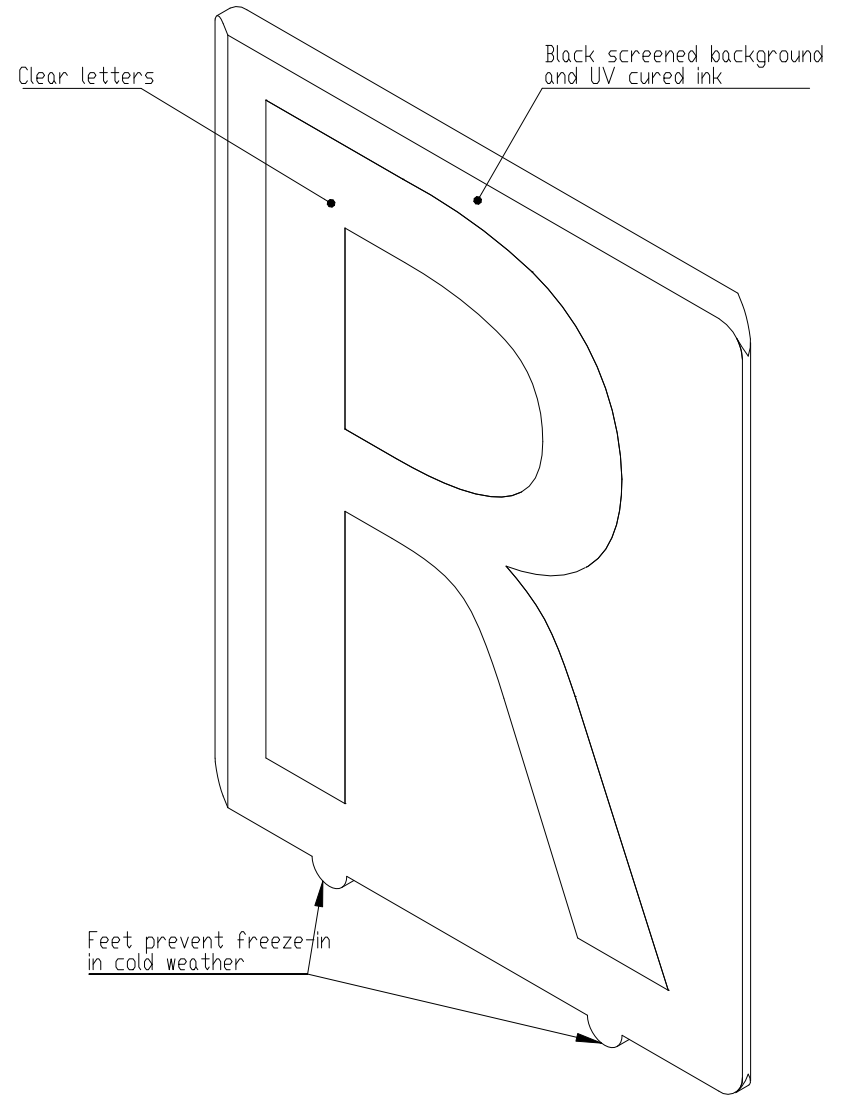


FRONT VIEW II SCALE 1:2



BEVELED OVERLAY PROFILE II SCALE 2:1



ISOMETRIC BACK VIEW II SCALE 1:1.1

Notes:
 Available in one style, 4", 6", 8" letters
 Beveled edge to prevent light leak
 Multiple size black blanks available, to fill track
 Install with black moongloo acrylic track
 Letter and blank sets available



TITLE: MOONGLO CHANGEABLE LETTERS			
MATERIAL: ACRYLIC		PRODUCT TYPE: PLASTIC CHANGEABLE LETTERS	
DWG NO. MOON10	REV 02/17/15	SCALE: AS INDICATED	SHEET 1 OF 1