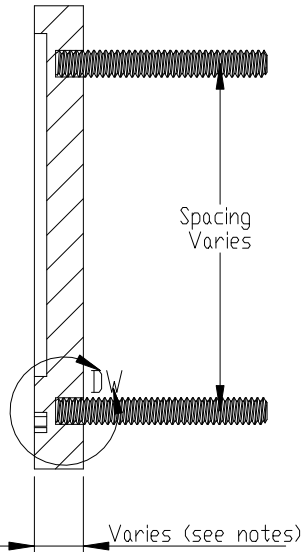
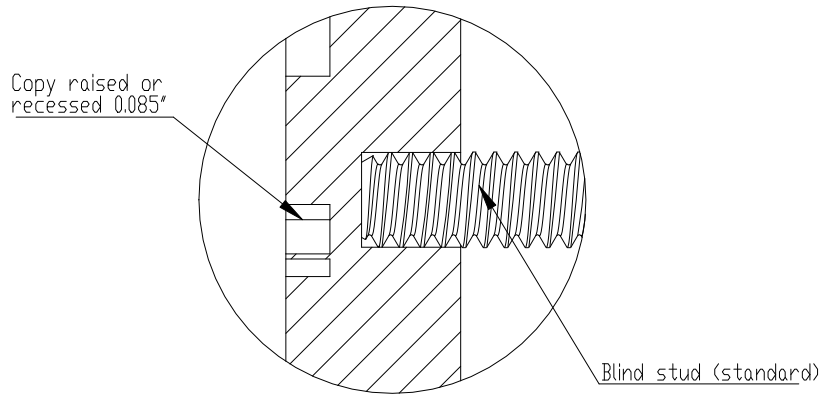


BACK VIEW II SCALE 1:1.25



SECTION VIEW A-A II SCALE 1:1.25



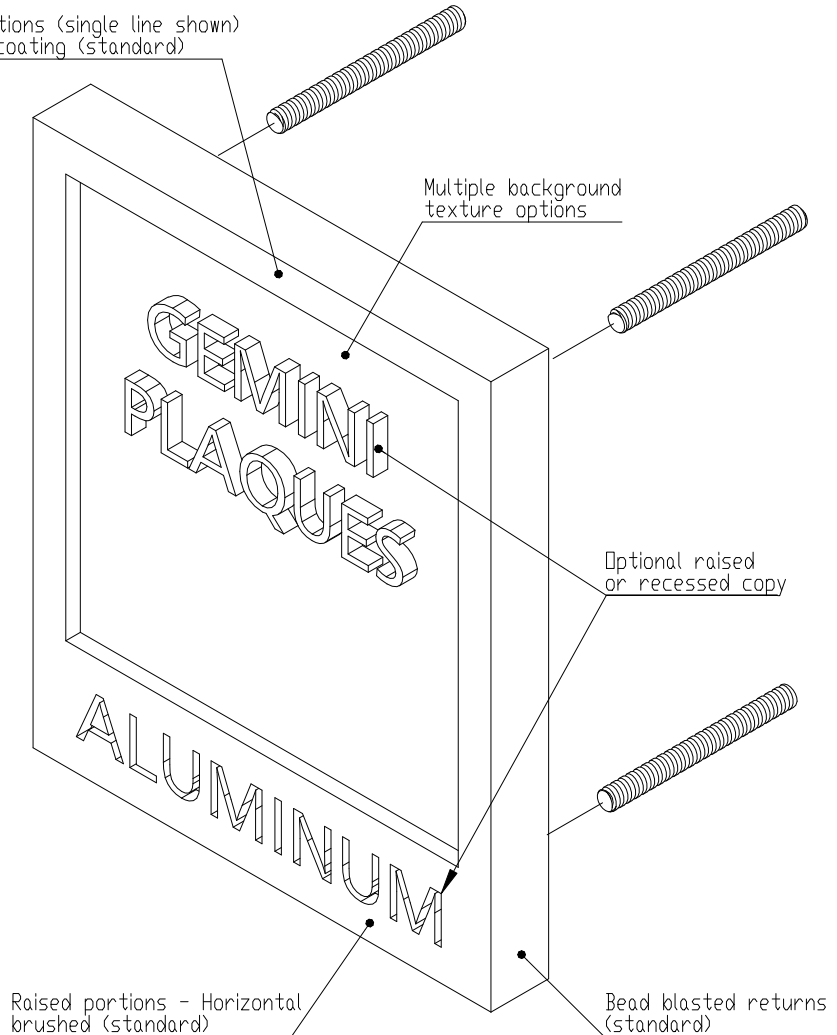
SECTION DW II SCALE 1:0.35

Size	Stud
Up to 432 sq inches	10/24
Over 432 sq inches	1/4 - 20
Optional: 3/8 - 16 stud	

STANDARD PRECISION TOOLED PLAQUE DEPTHS		
MATERIAL	SIZE	DEPTH
Bronze	Up to 320 sq in.	1/4"
	Over 320 sq in.	5/16"
Aluminum	All sizes	5/16"
Optional thicker tooled or cast plaques available		



Multiple boarder options (single line shown)
Semi - Satin clear coating (standard)



ISOMETRIC VIEW II SCALE 1:0.75

NOTE:
Aluminum, bronze, or brass options
Multiple texture, color, finish, and mounting options available

TITLE: PRECISION TOOLED PLAQUE - STUD MOUNT			
MATERIAL: METAL		PRODUCT TYPE: METAL PLAQUES	
DWG NO. PPLQ10	REV 03/24/15	SCALE: AS INDICATED	SHEET 1 OF 1