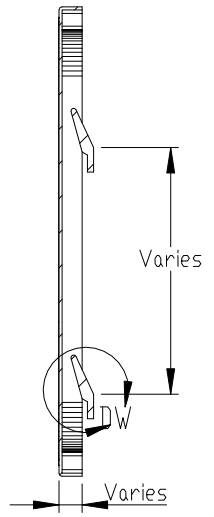
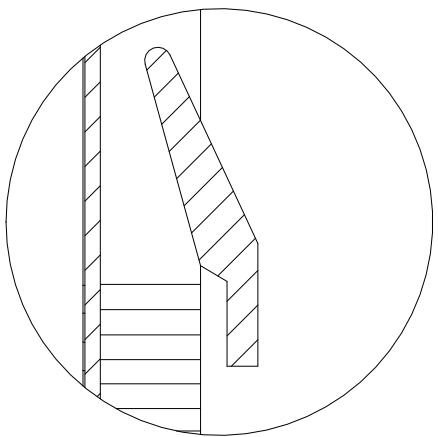


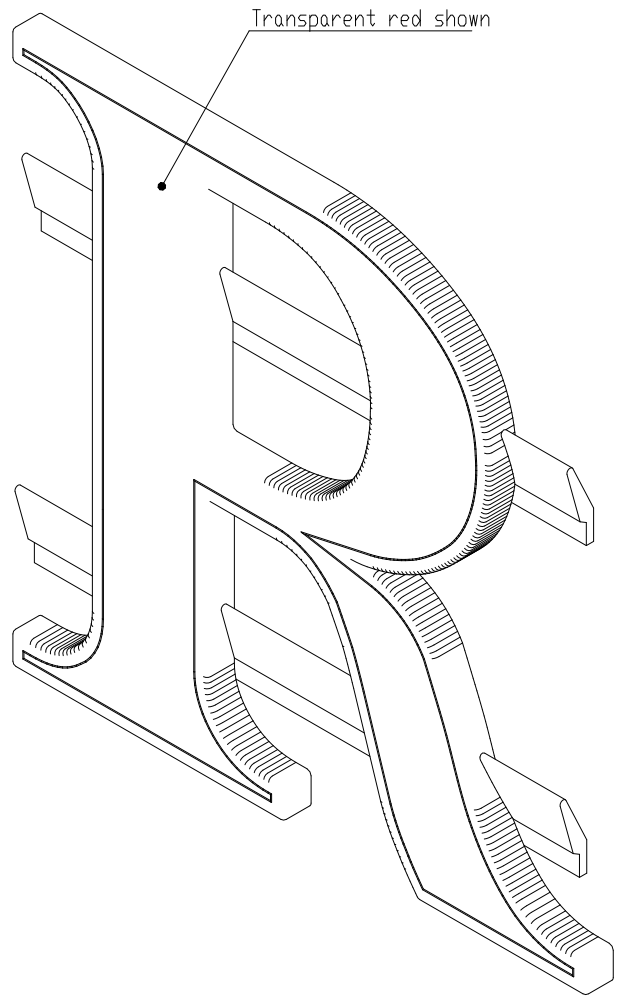
BACK VIEW II SCALE 1:5



SECTION A-A II SCALE 1:5



DETAIL DW II SCALE 1:1



ISOMETRIC BACK VIEW II SCALE 1:3

- Notes:
- 6" Letters - Slots are 5" on center
 - 8" up to 10" letters - Slots are 7" on center
 - Letters are transparent red or black injection molded.
 - Install with clear acrylic slotted track (6", 8", 10" lengths).
 - Change letters with "Slotted Change Arm"
 - Letters and standard symbols available.



TITLE: SLOTTED B MARQUEE LETTERS			
MATERIAL: C.A.B		PRODUCT TYPE: PLASTIC CHANGEABLE LETTERS	
DWG NO. SLOT10	REV 02/19/15	SCALE: AS INDICATED	SHEET 1 OF 1