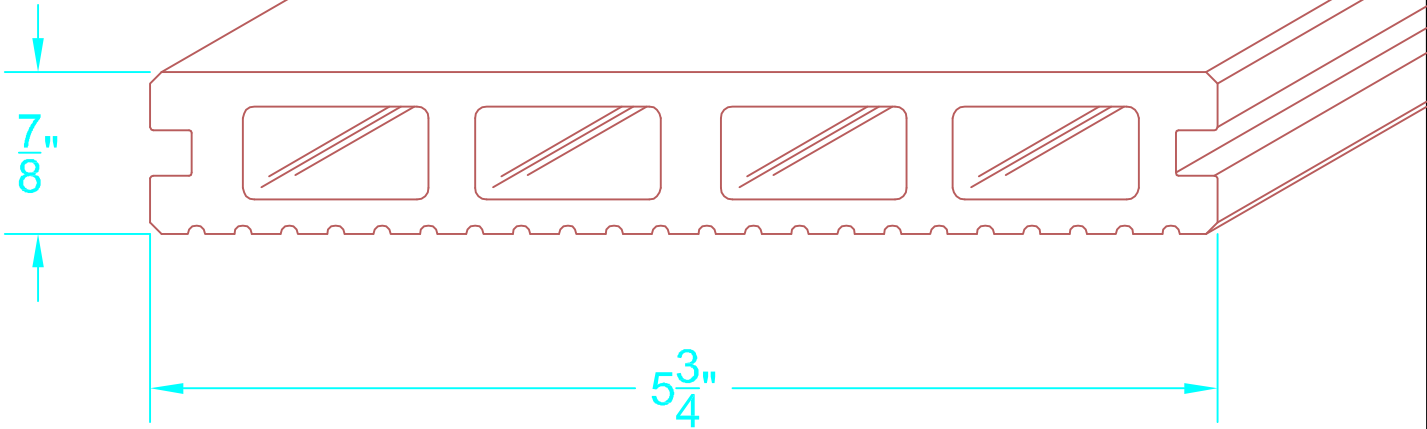


Board Length :- 12 ft.
Weight per board :- 19.3 lbs



<h1>Geolam</h1> <p>Architectural Eco-Technology</p>	Title Duo decking	
	Drawn BR	Revision A
	Date 2/2/16	Date 2/3/16