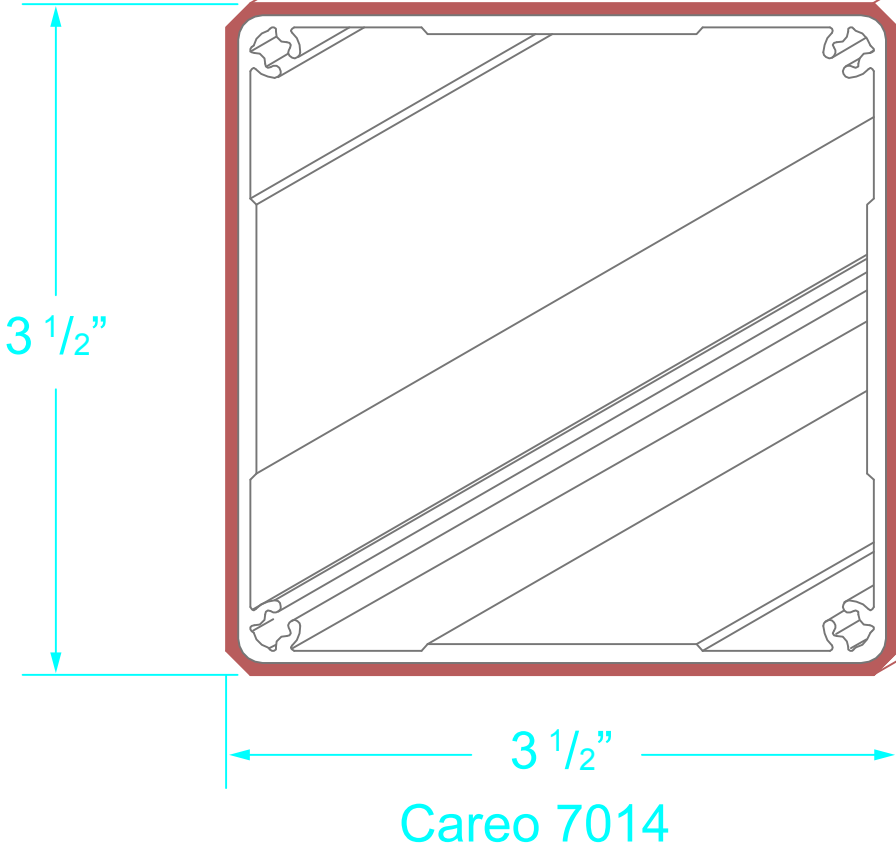


Trim Length: - Per customers specification
Weight per lineal ft.: - Careo 7014 = 1.88 lbs



Geolam
Architectural Eco-Technology

Title
**Hybrid Aluminum/WPC
Careo 7014**

Drawn **BR** Revision **B**

Date **2/22/16** Date **2/08/19**