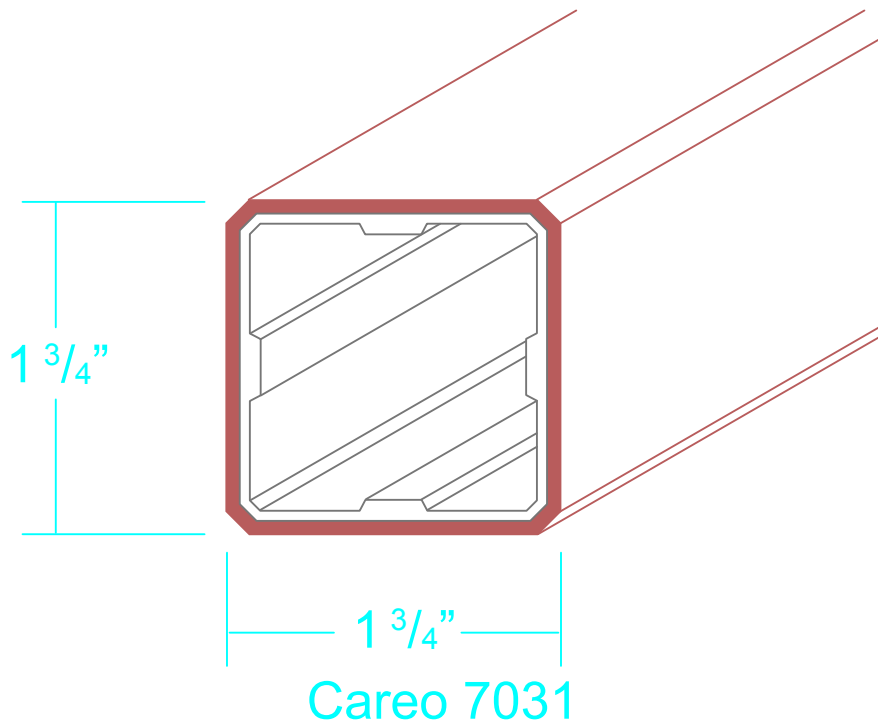


Trim Length: - Per customers specification
Weight per lineal ft.: - Careo 7031 = 0.55 lbs



Geolam
Architectural Eco-Technology

Title **Hybrid Aluminum/WPC**
Careo 7031

Drawn **RP**

Revision

Date **3/4/19**

Date