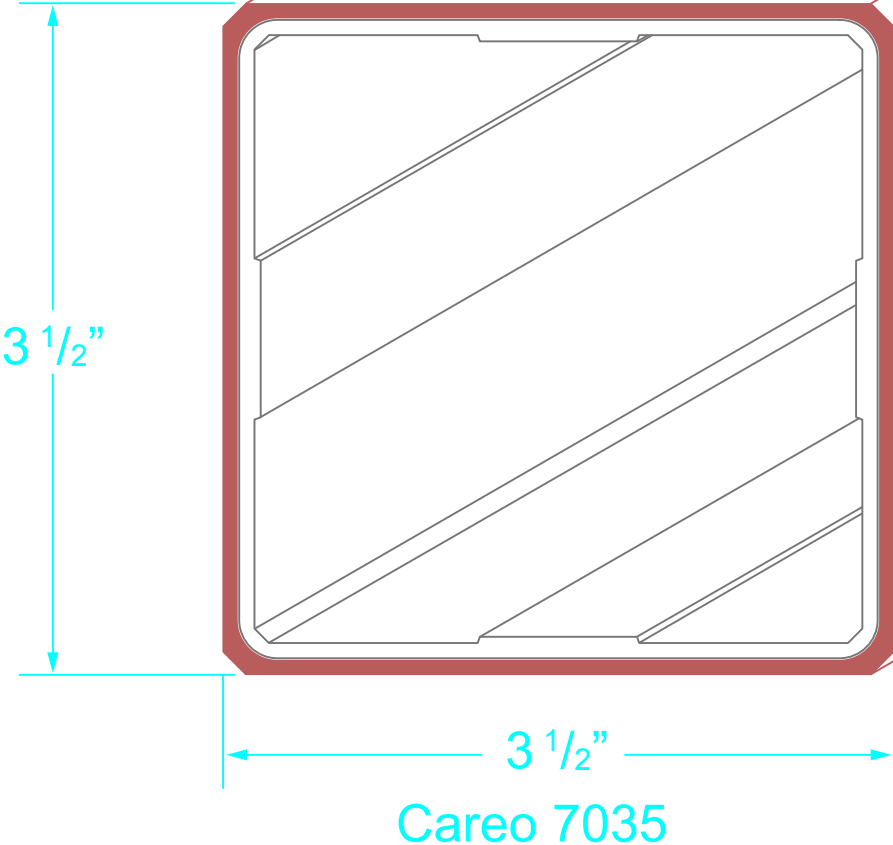


Trim Length: - Per customers specification
Weight per lineal ft.: - Careo 7035 = 1.53 lbs



Geolam
Architectural Eco-Technology

Title
Hybrid Aluminum/WPC
Careo 7035

Drawn RP Revision

Date 2/08/19 Date