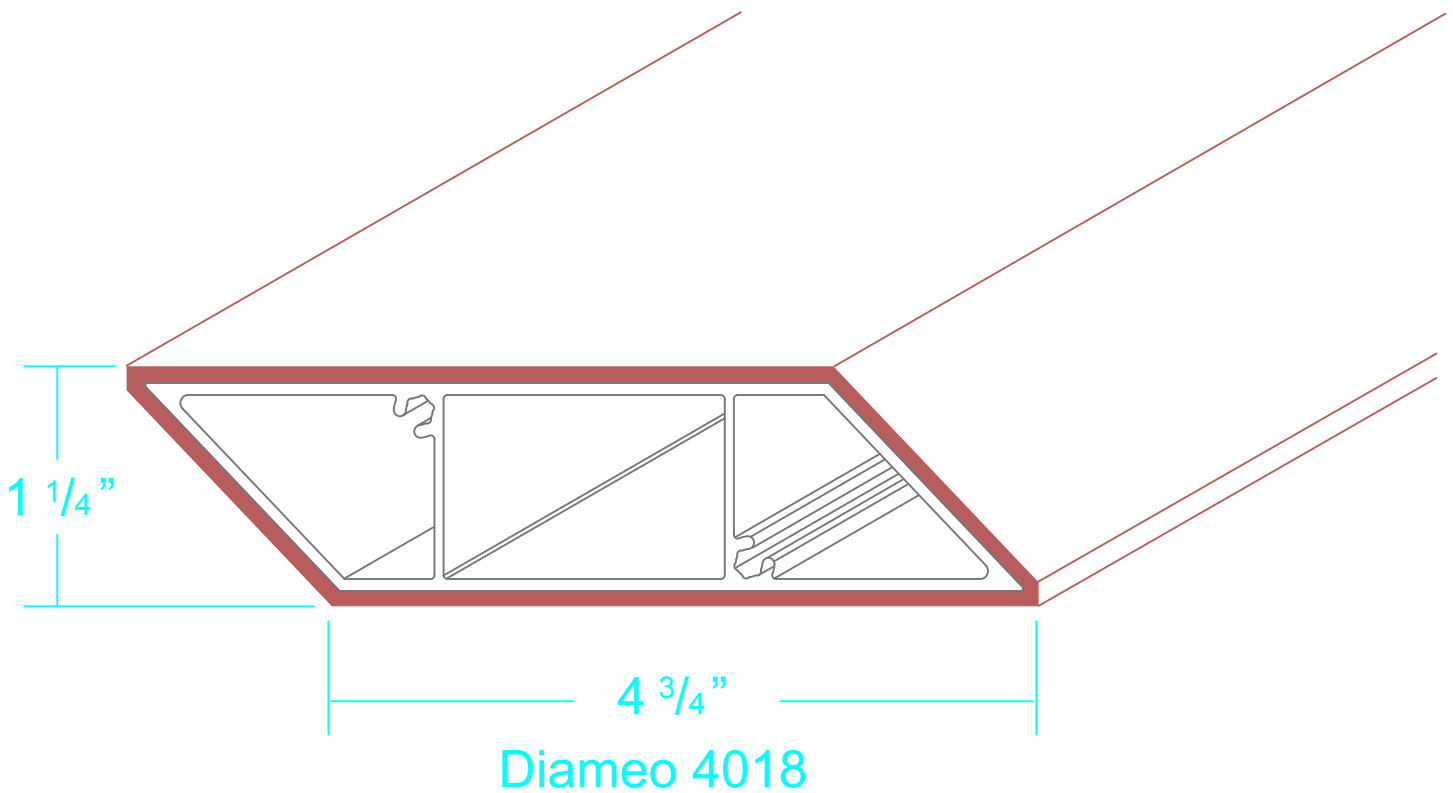


Trim Length: - Per customers specification  
Weight per lineal ft.: - Diameo 4018 = 1.13 lbs



**Geolam**  
Architectural Eco-Technology

Title **Hybrid Aluminum/WPC  
Diameo 4018**

Drawn **BR** Revision **A**

Date **2/22/16** Date **3/4/19**