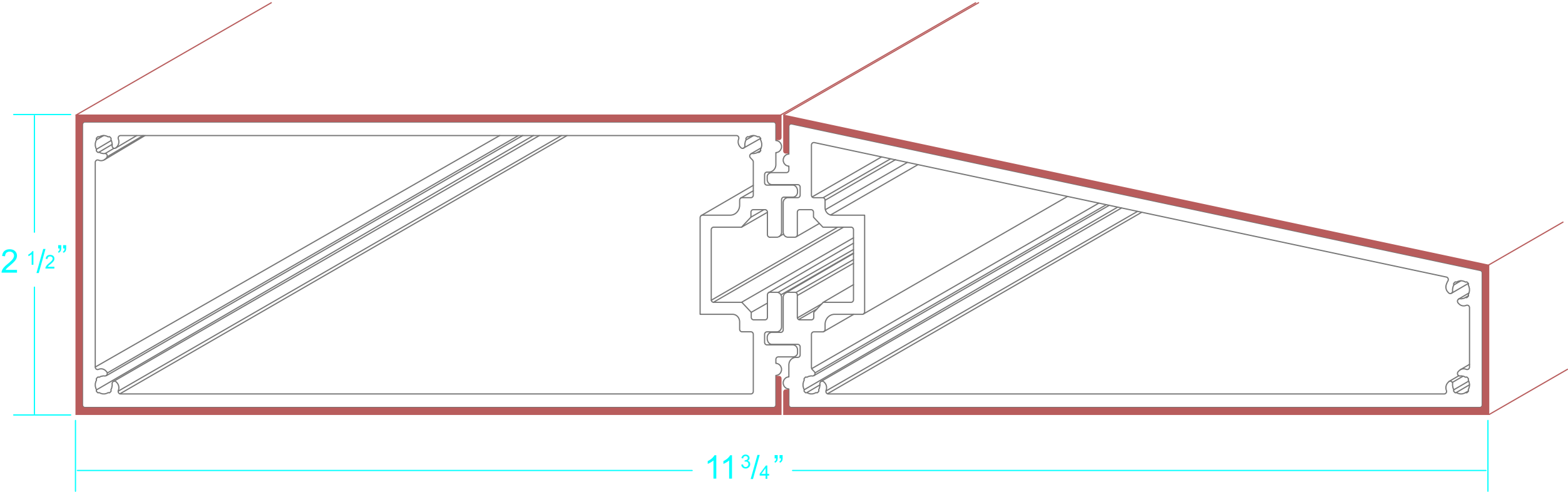


Trim Length: - Per customers specification
Weight per lineal ft.: - Diameo 4022 = 5.11 lbs



Diameo 4022

Geolam
Architectural Eco-Technology

Title **Hybrid Aluminum/WPC**
Diameo 4022

Drawn **RP** Revision

Date **3/4/19** Date