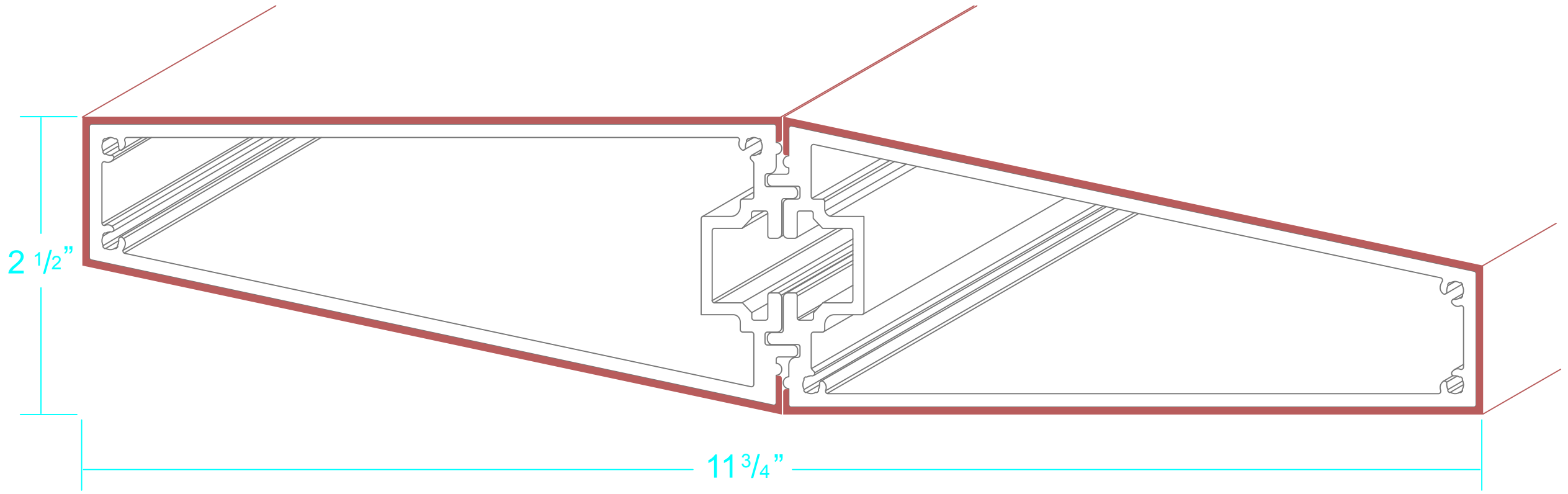


Trim Length: - Per customers specification  
Weight per lineal ft.: - Diameo 4023 = 4.99 lbs



Diameo 4023

**Geolam**  
Architectural Eco-Technology

Title	Hybrid Aluminum/WPC Diameo 4023	
Drawn	RP	Revision
Date	3/4/19	Date