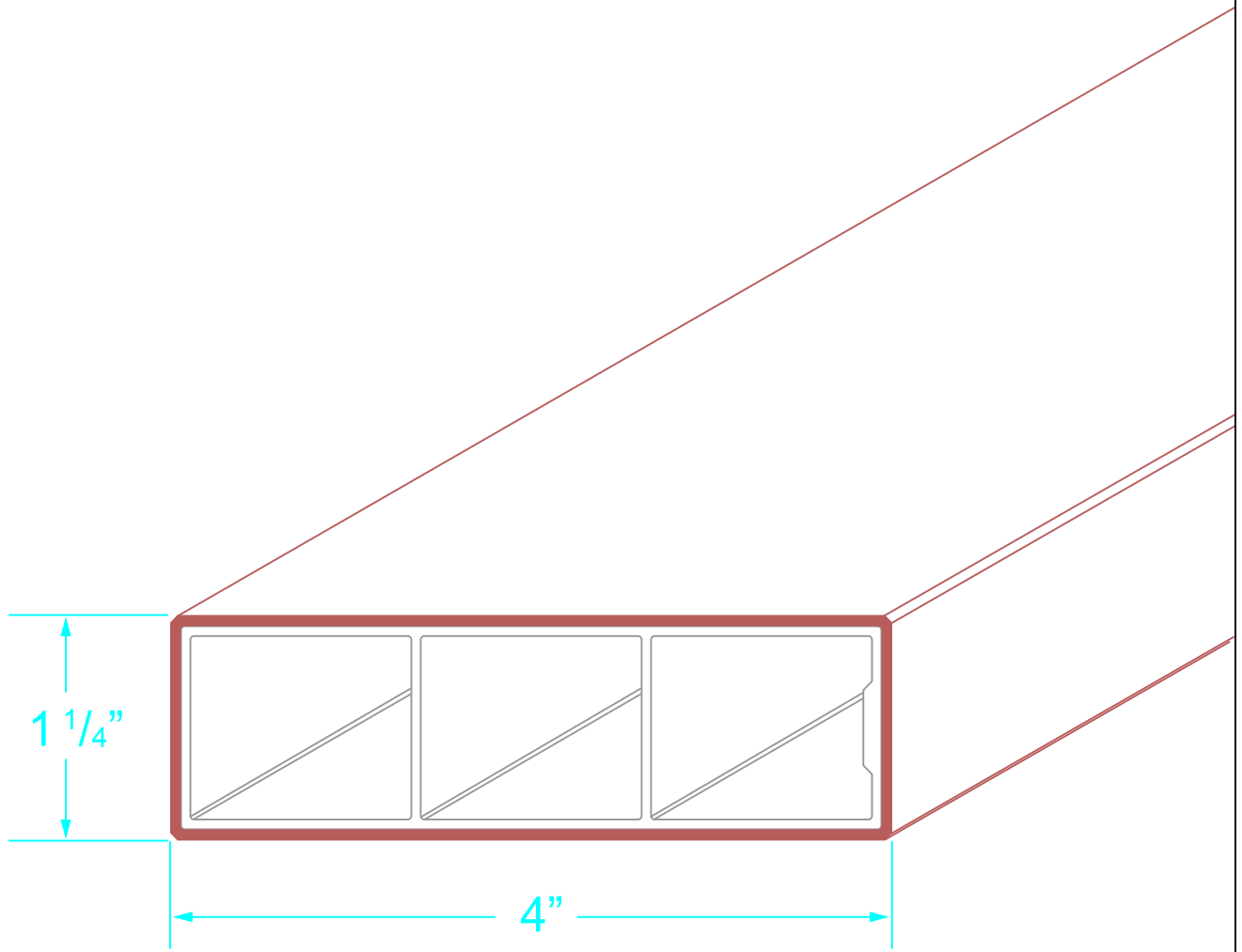


Trim Length: - Per customers specification
Weight per lineal ft.: - Soleo 6009 = 0.94 lbs



Soleo 6009

Geolam
Architectural Eco-Technology

Title
**Hybrid Aluminum/WPC
Soleo 6009**

Drawn **RP** Revision

Date **3/4/19** Date