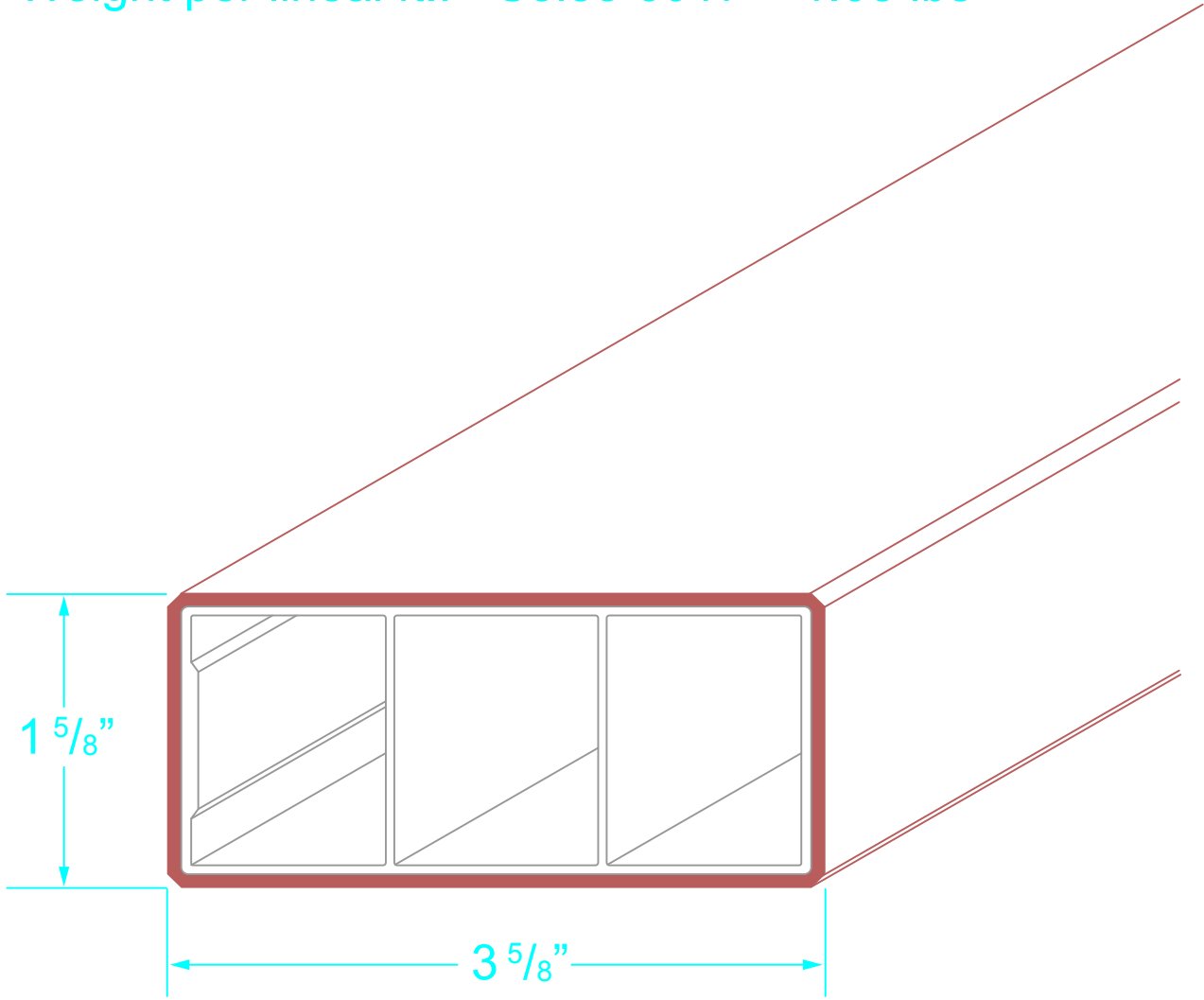


Trim Length: - Per customers specification
Weight per lineal ft.: - Soleo 6017 = 1.08 lbs



Soleo 6017

Geolam
Architectural Eco-Technology

Title
Hybrid Aluminum/WPC
Soleo 6017

Drawn RP Revision

Date 3/4/19 Date