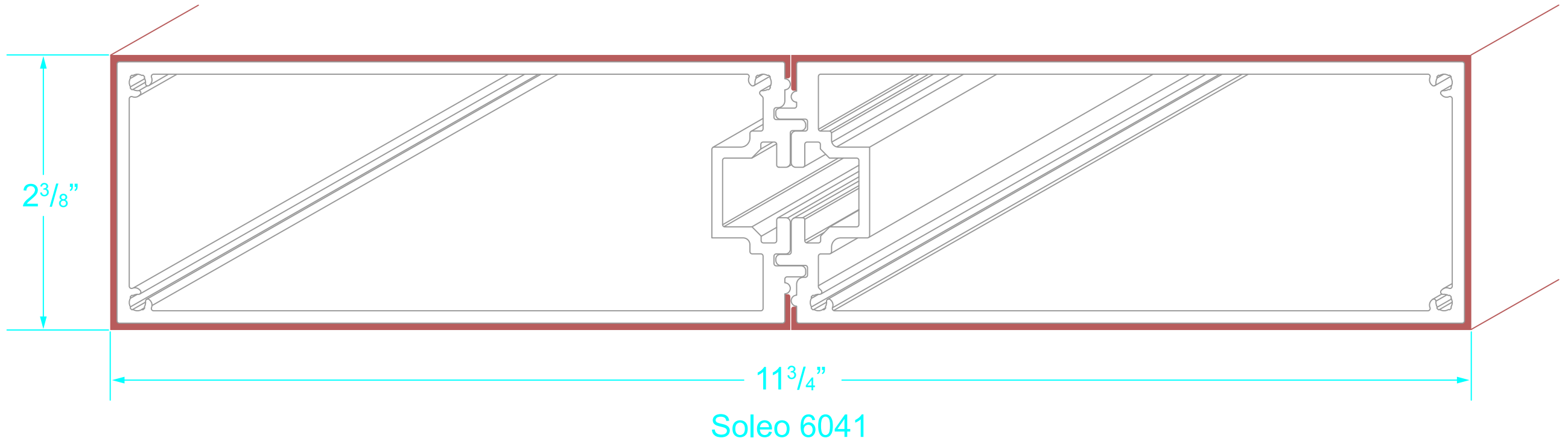


Trim Length: - Per customers specification
Weight per lineal ft.: - Soleo 6041 = 5.24 lbs



Geolam
Architectural Eco-Technology

Title	Hybrid Aluminum/WPC Soleo 6041	
Drawn	RP	Revision
Date	3/4/19	Date