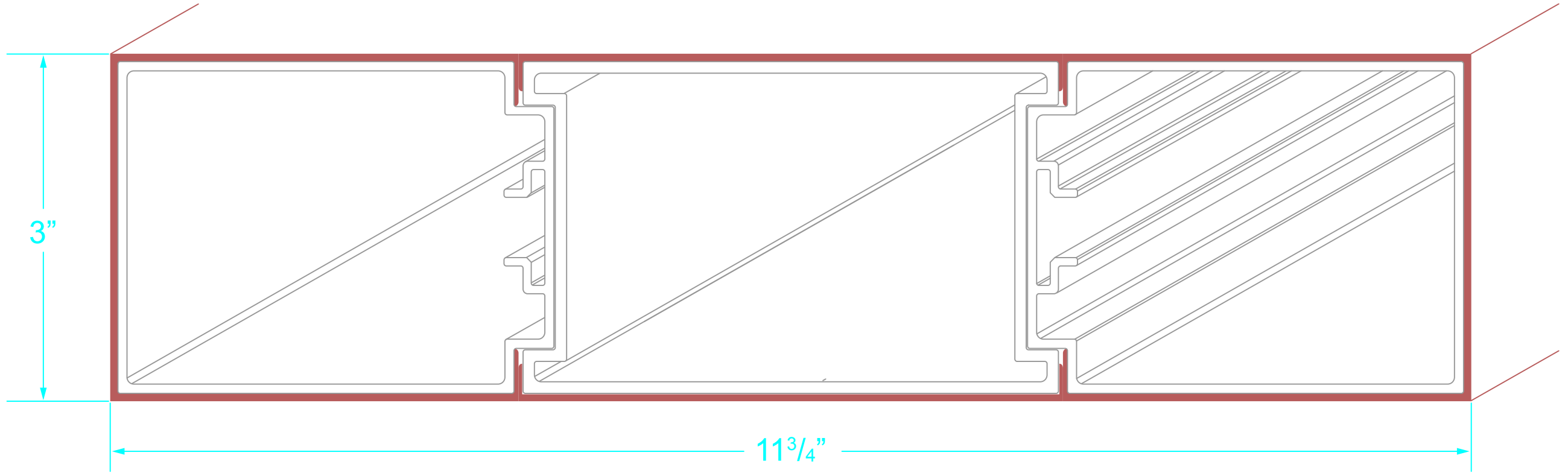


Trim Length: - Per customers specification
Weight per lineal ft.: - Soleo 6043 = 4.57 lbs



11³/₄"
Soleo 6043

Geolam
Architectural Eco-Technology

Title	Hybrid Aluminum/WPC Soleo 6043	
Drawn	RP	Revision
Date	3/4/19	Date