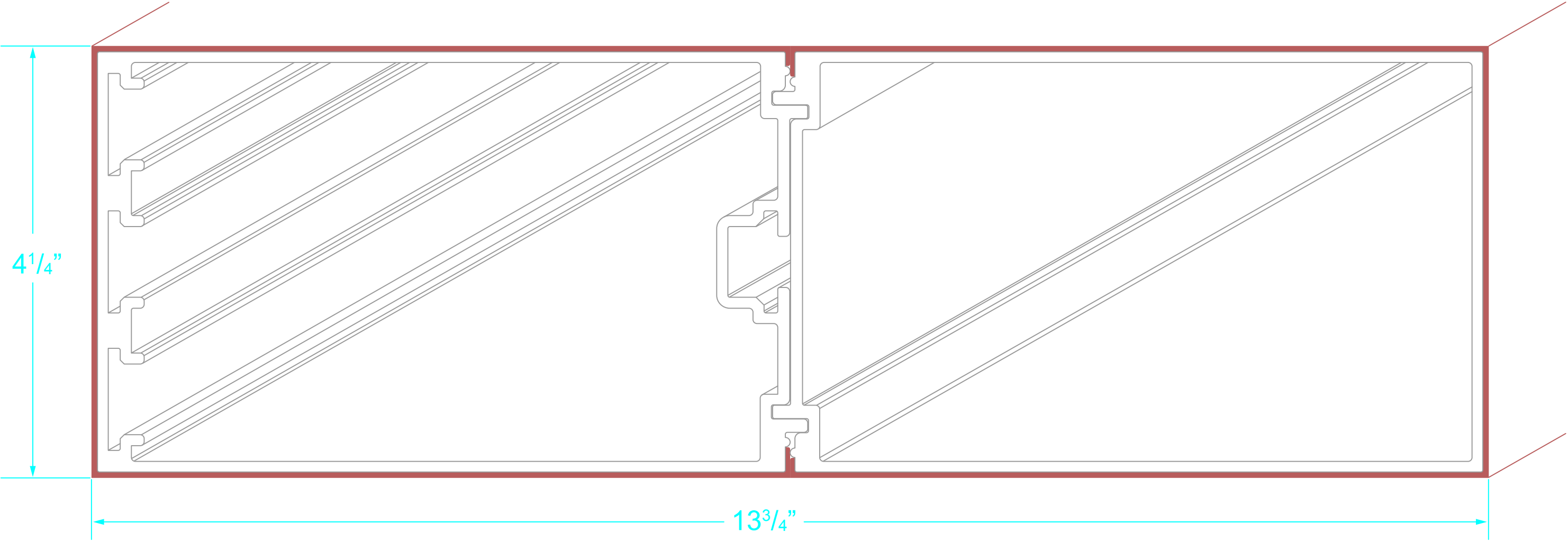


Trim Length: - Per customers specification  
Weight per lineal ft.: - Soleo 6046 = 6.65 lbs



Soleo 6046

**Geolam**  
Architectural Eco-Technology

Title	Hybrid Aluminum/WPC Soleo 6046	
Drawn	RP	Revision
Date	3/4/19	Date