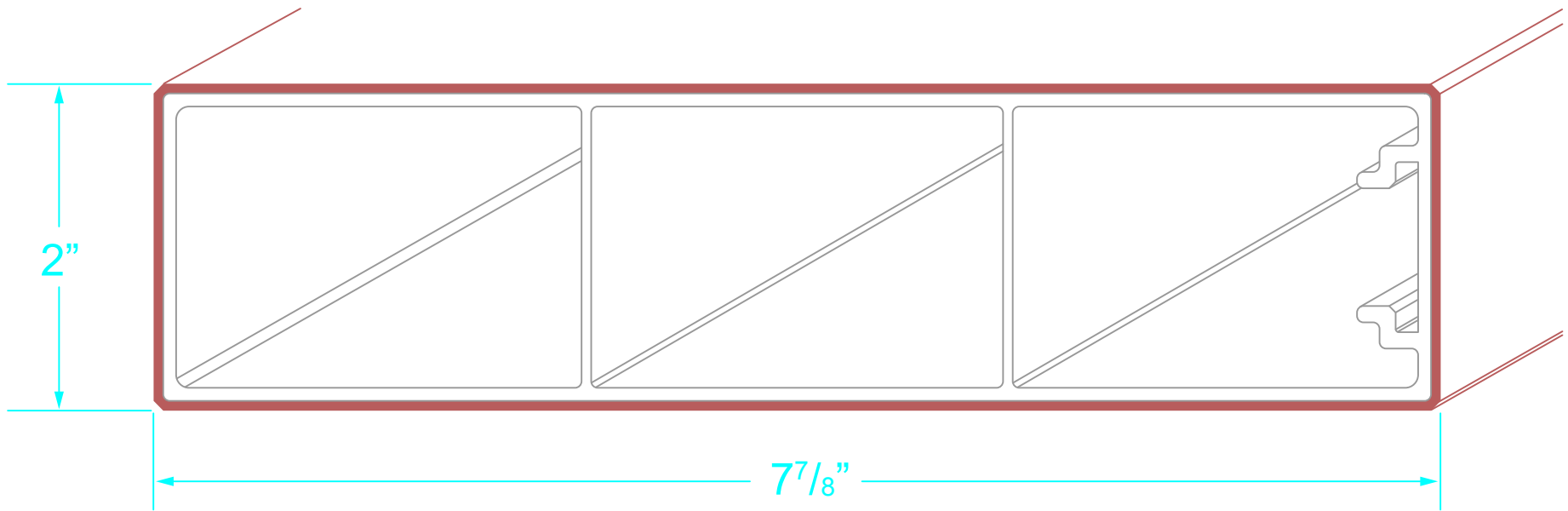


Trim Length: - Per customers specification
Weight per lineal ft.: - Soleo 6072 = 2.64 lbs



Soleo 6072

Geolam
Architectural Eco-Technology

Title
Hybrid Aluminum/WPC
Soleo 6072

Drawn **RP** Revision

Date **3/4/19** Date