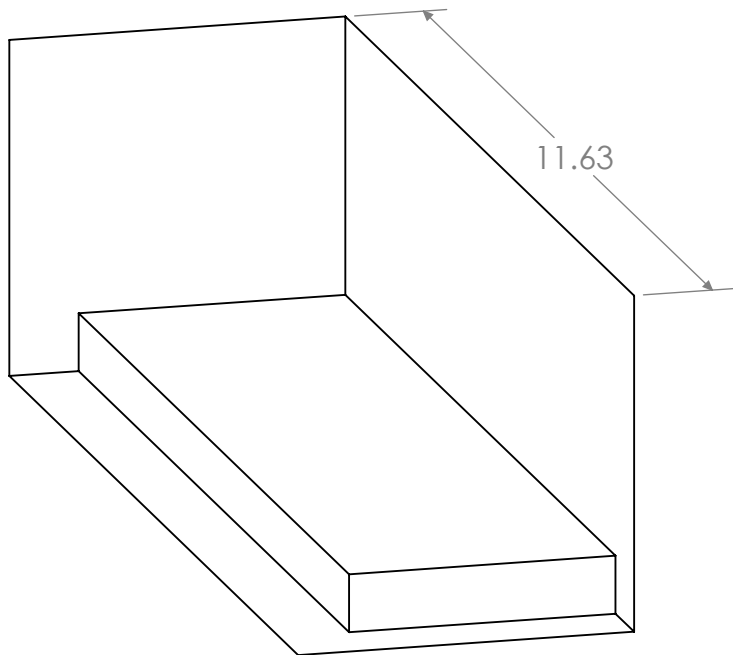


RIGHT



LEFT

