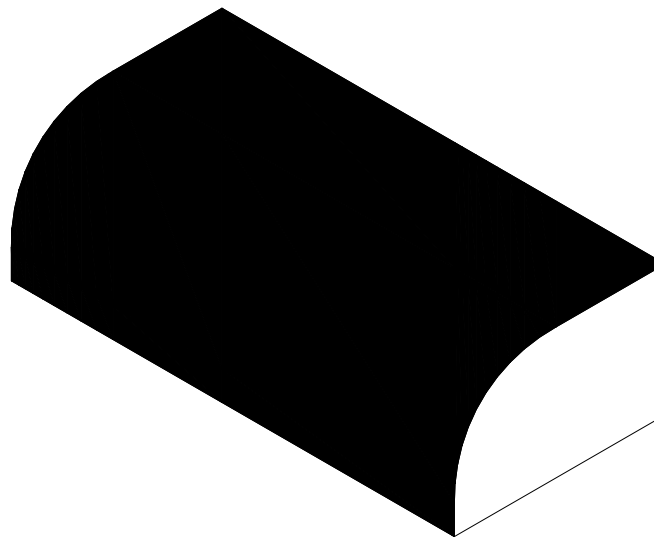
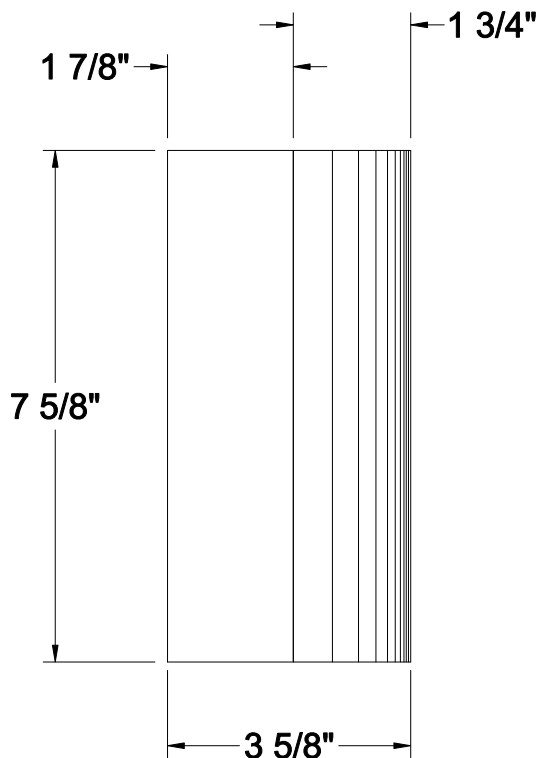
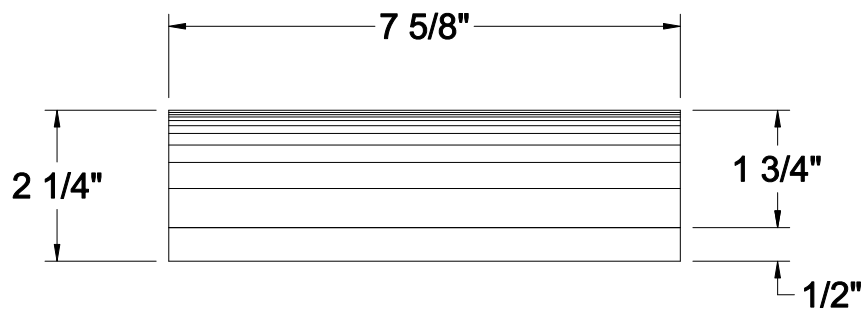
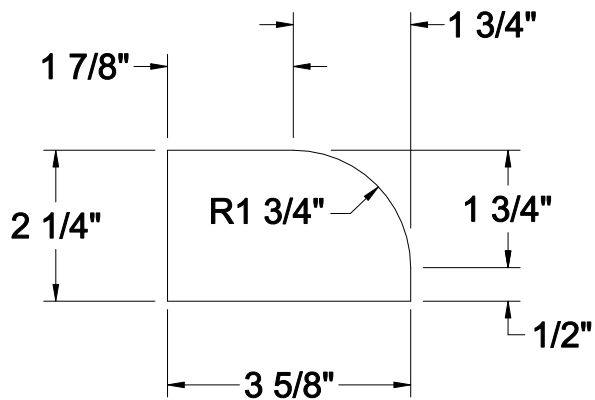


This drawing has been reviewed for dimensions, faces, and specifications and I agree to them.

Qty : \_\_\_\_\_ .

# CATALOG SHAPE

Signature \_\_\_\_\_ Title \_\_\_\_\_ Date \_\_\_\_\_



■ INDICATES FINISHED FACES

DRAWING:  
W1-S STD. MOD.  
WATER TABLE STRETCHER

PROJECT:

PAGE: 1 DATE: 9 APR 20

ARCHITECT:

CUSTOMER:

SALES REP:

SALES OFFICE:

PLANT:

BRICK NAME:

BRICK TYPE:

TEXTURE:

NUMBER OF FINISHED FACES: 3

TEXTURE DIRECTION: PLANT OPTION

CORING: PLANT OPTION

SIZE: STD. MOD. BOND:

ASTM STANDARD: C216, FBS, SW

COMPUTER FILE: W1-S-STD MOD

DRAWN BY: KEVIN LINDSTROM

This document is the property of GLEN-GERY CORPORATION and may not be reproduced without written permission from the appropriate Glen-Gery Representative. The contents of this document are advisory only. Responsibility for accuracy and applicability lies entirely with the Project Designer and/or Owner.