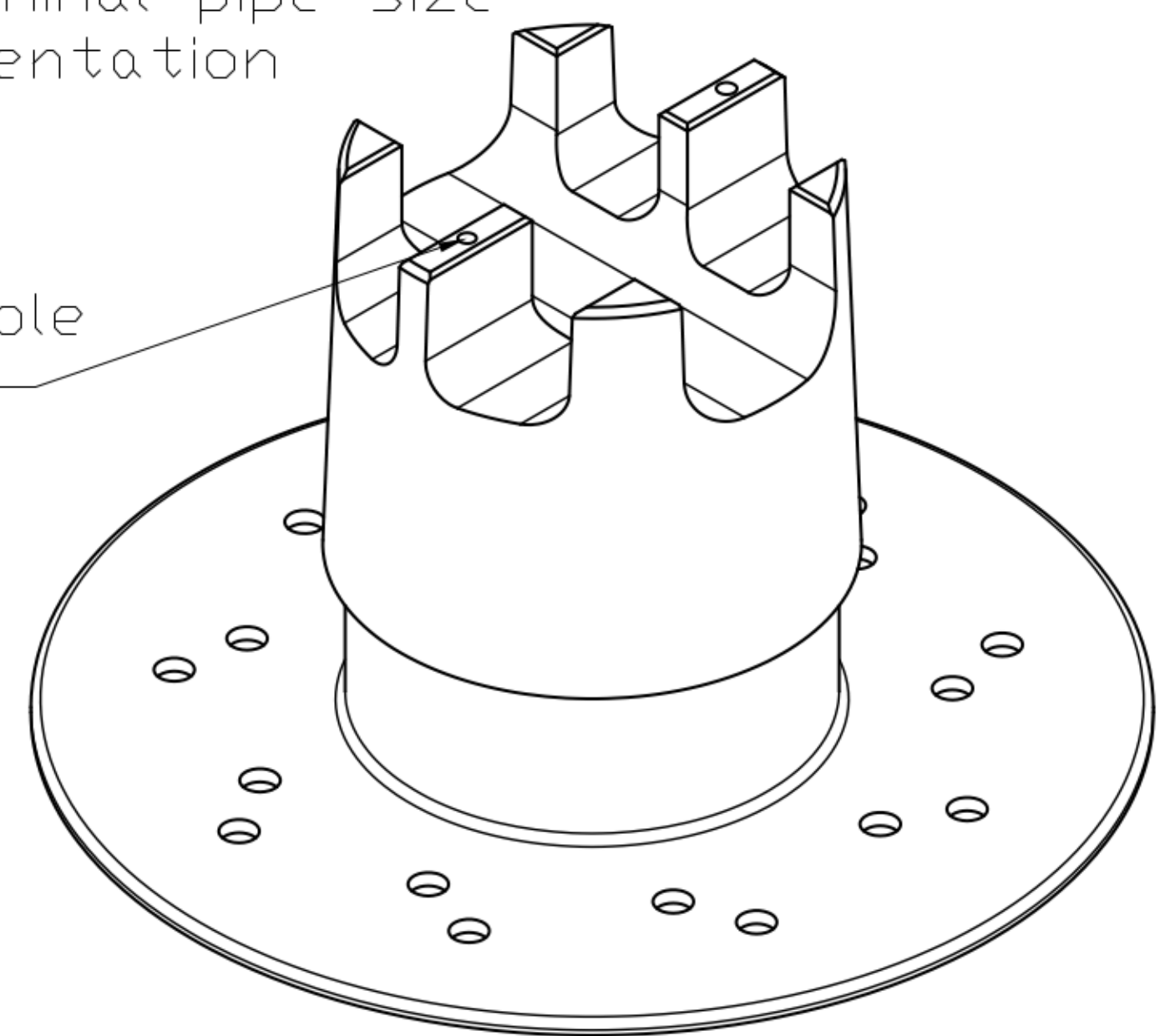


REVISIONS				
ZONE	REV	DESCRIPTION	DATE	APPROVED
A1	C	Updated Address	12/8/17	OP

Ø1.375" support for 1-inch nominal pipe size
Supports one pipe in this orientation

Adjustable

Pipe Strap pilot hole
Mates with No.2
sheet metal screw



2.3/3.5

Side View

Ø7.00

Ø0.875" support for 1/2-inch nominal pipe size
Supports two pipes in this orientation

Front View



FILE NAME 2006	5519 E Cork Street Kalamazoo Michigan 49048 USA (269)743-3368 (888) 672-9897		
CONTRACT NO KnuckleHeads			
DRAWN 12/5/2017			
CHECK OP			
APPR.			
ISSUED 8/1/2017			
Reinforced Nylon	SIZE -	FSCM NO -	DWG NO 2006 Lite Pipe [B] KnuckleHead Lite Pipe Assembly.dwg
Third angle projection not applicable	SCALE Not to Scale	WEIGHT	REV C
			SHEET 12