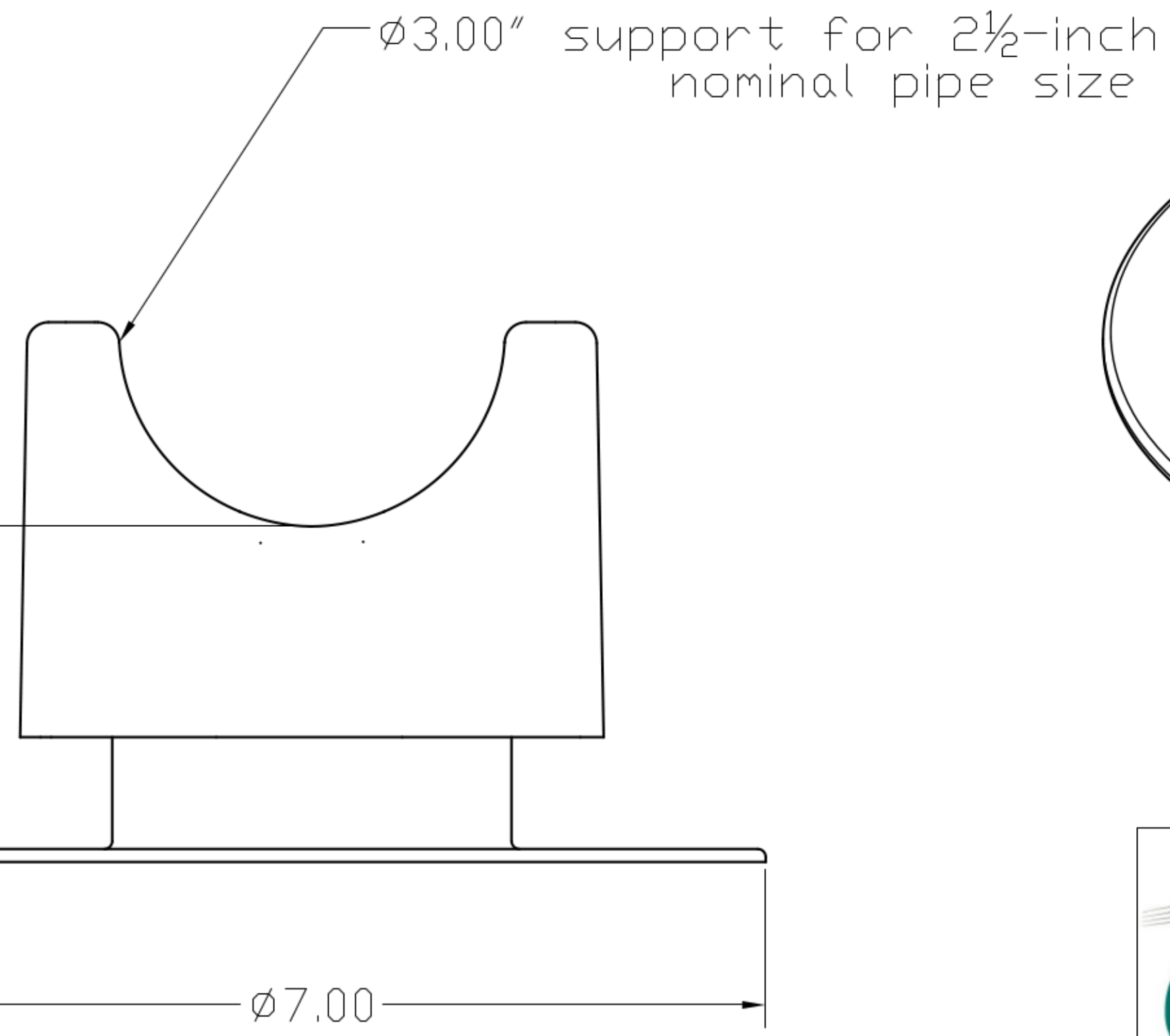
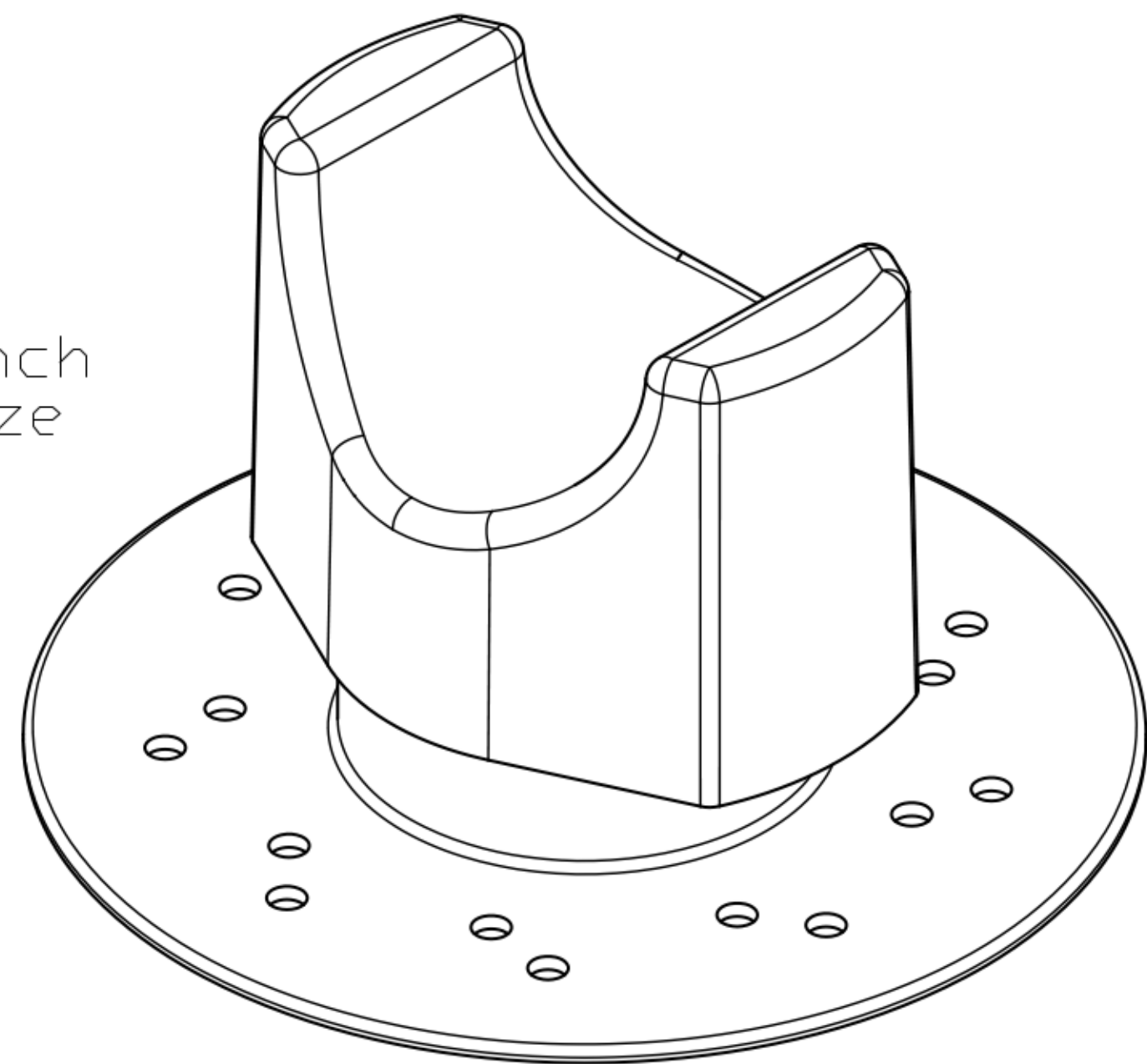


REVISIONS				
ZONE	REV	DESCRIPTION	DATE	APPROVED
A1	C	Updated Address	12/8/17	OP



FILE NAME 2011	5519 E Cork Street Kalamazoo Michigan 49048 USA (269)743-3368 (888) 672-9897		
CONTRACT NO KnuckleHeads			
DRAWN 12/5/2017			
CHECK OP			
APPR.			
ISSUED 8/1/2017			
Reinforced Nylon	SIZE	FSCM NO	DWG NO
Third angle projection not applicable	-	-	2011 Heavy Pipe [B] Knucklehead Heavy Pipe Assy.dwg
	SCALE Not to scale	WEIGHT	REV C
			SHEET 12

Heavy Pipe KnuckleHead