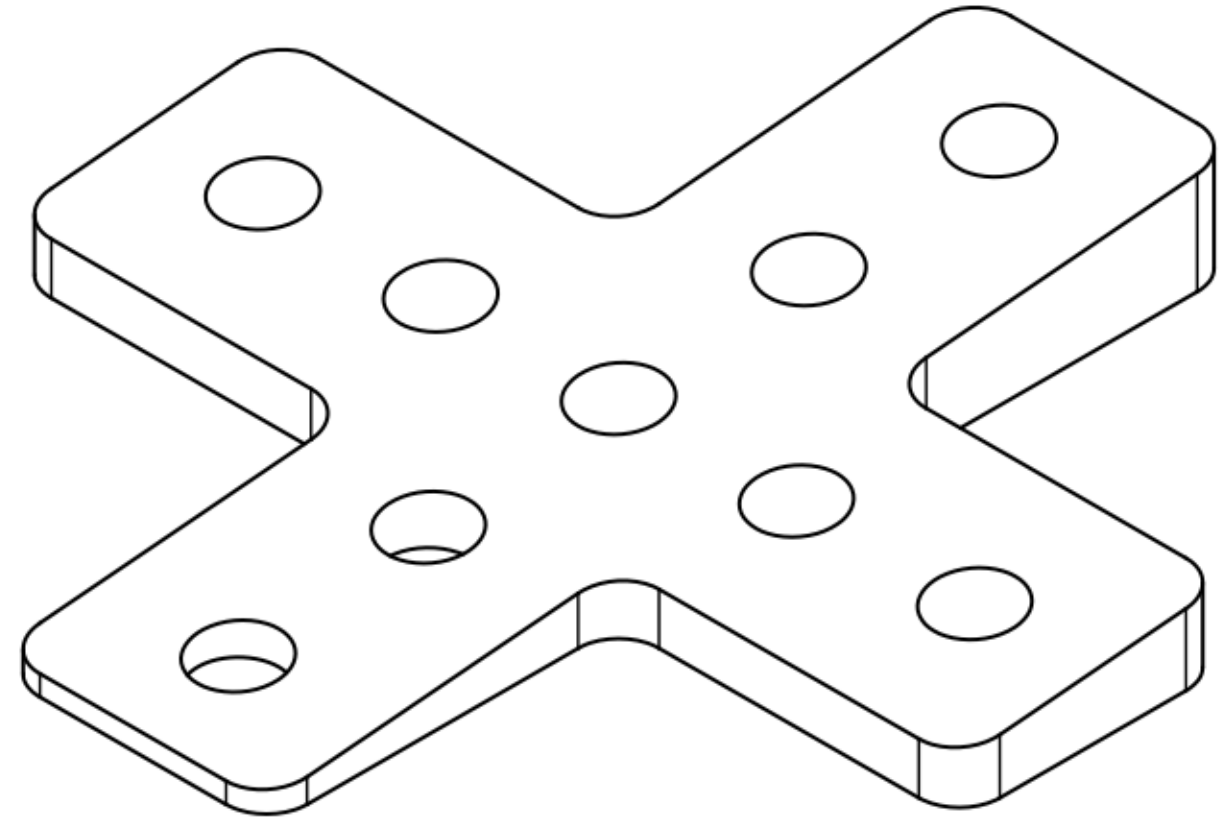
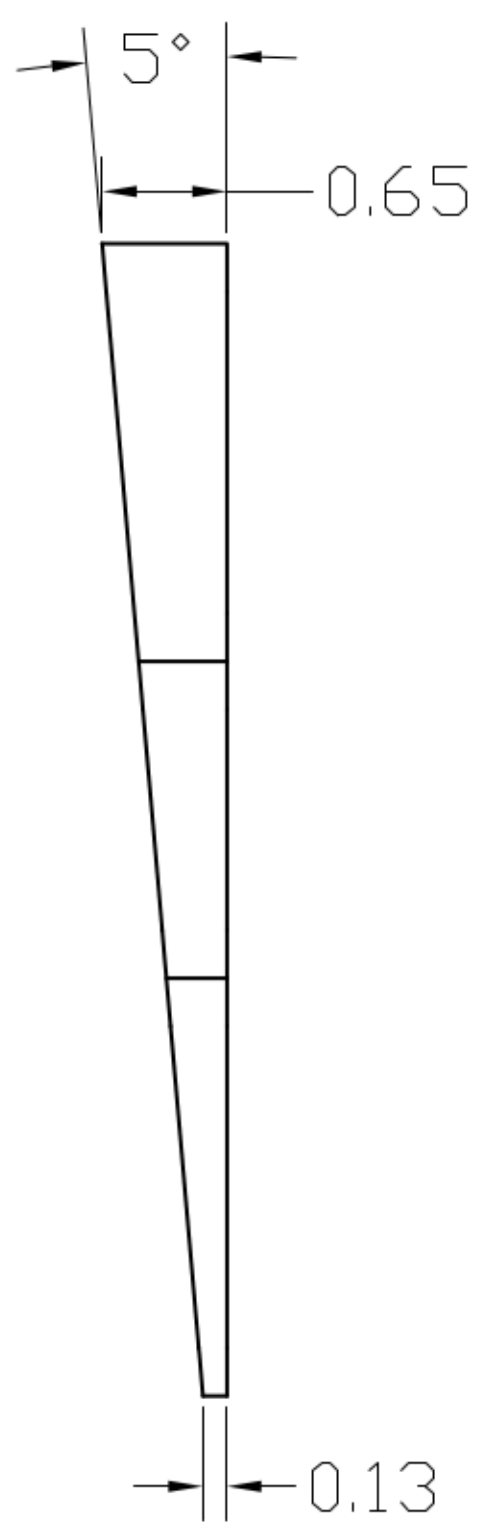
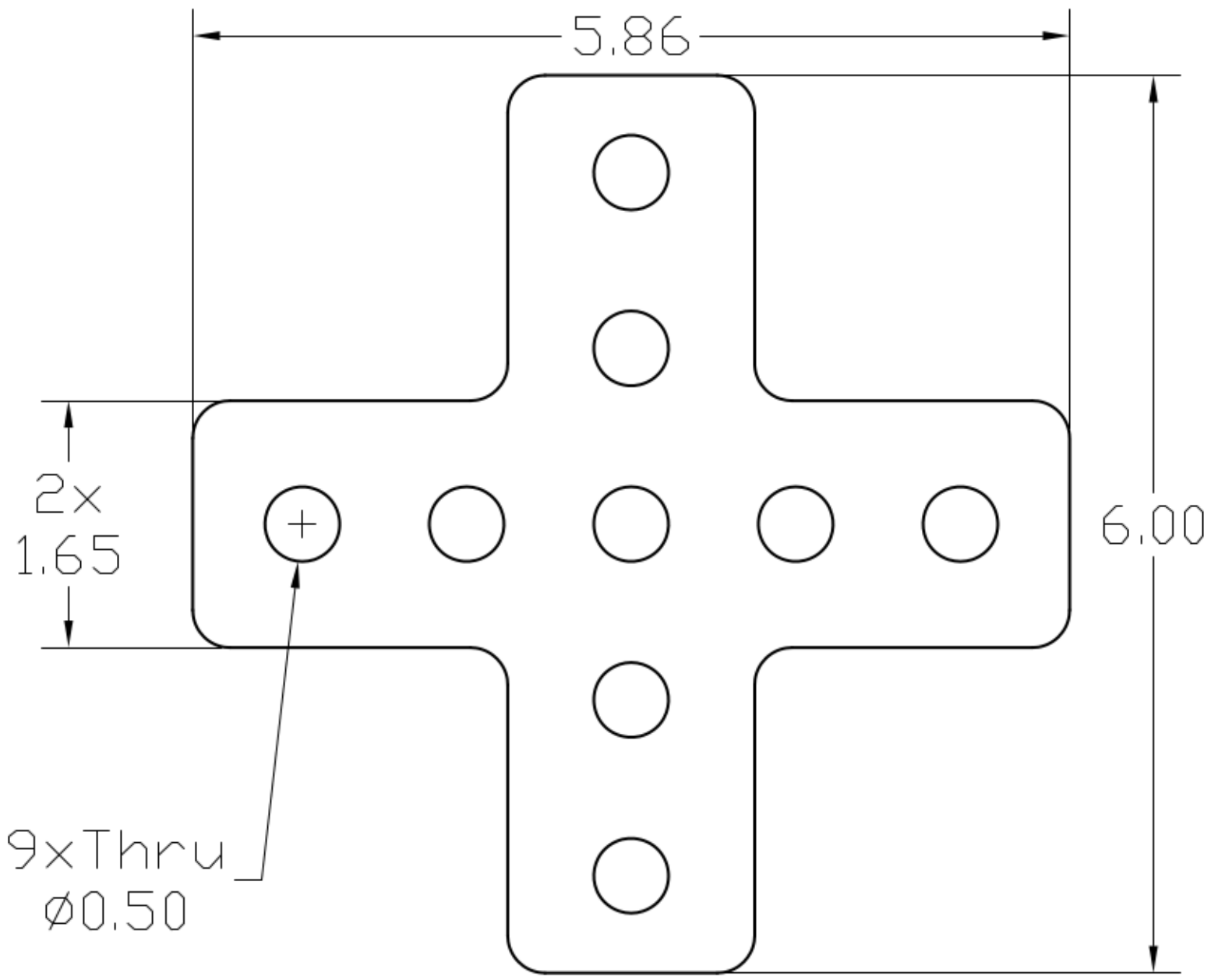


REVISIONS				
ZONE	REV	DESCRIPTION	DATE	APPROVED
All	A	Initial Release	12/5/17	OP



FILE NAME SolarWedge	5519 E Cork Street Kalamazoo Michigan 49048 USA (269)743-3368 (888) 672-9897		
CONTRACT NO KnuckleHeads	SolarWedge 5 degree		
DRAWN 11/8/2017			
CHECK OP			
APPR. op			
ISSUED 9/29/2017			
Urethane	SIZE	FSCM NO	DWG NO
		-	A-2020-1-Wedge [A] Solar KnuckleHead 5 degree Wedge
	SCALE 1:1	WEIGHT 135 grams	REV A
		SHEET 12	