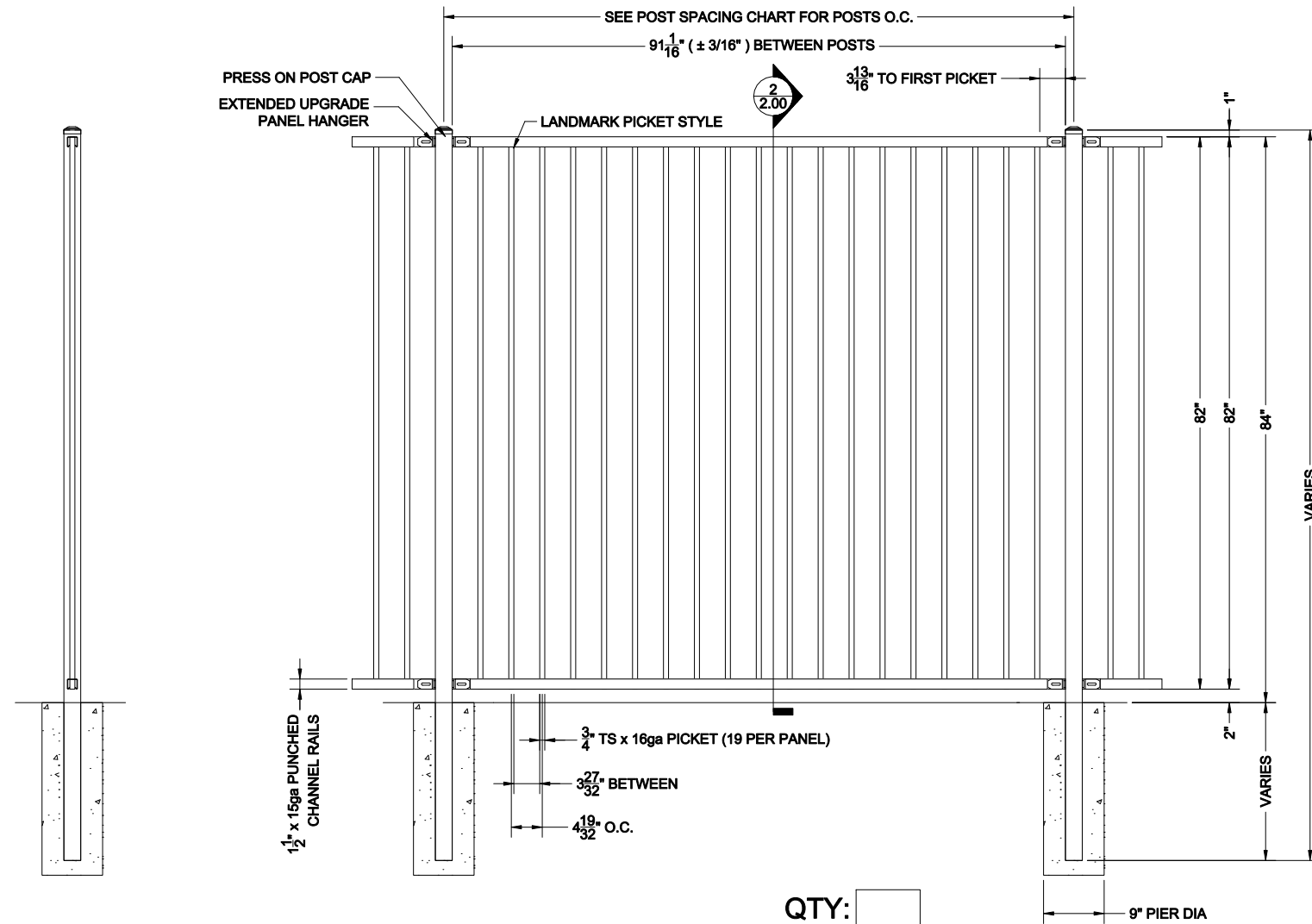
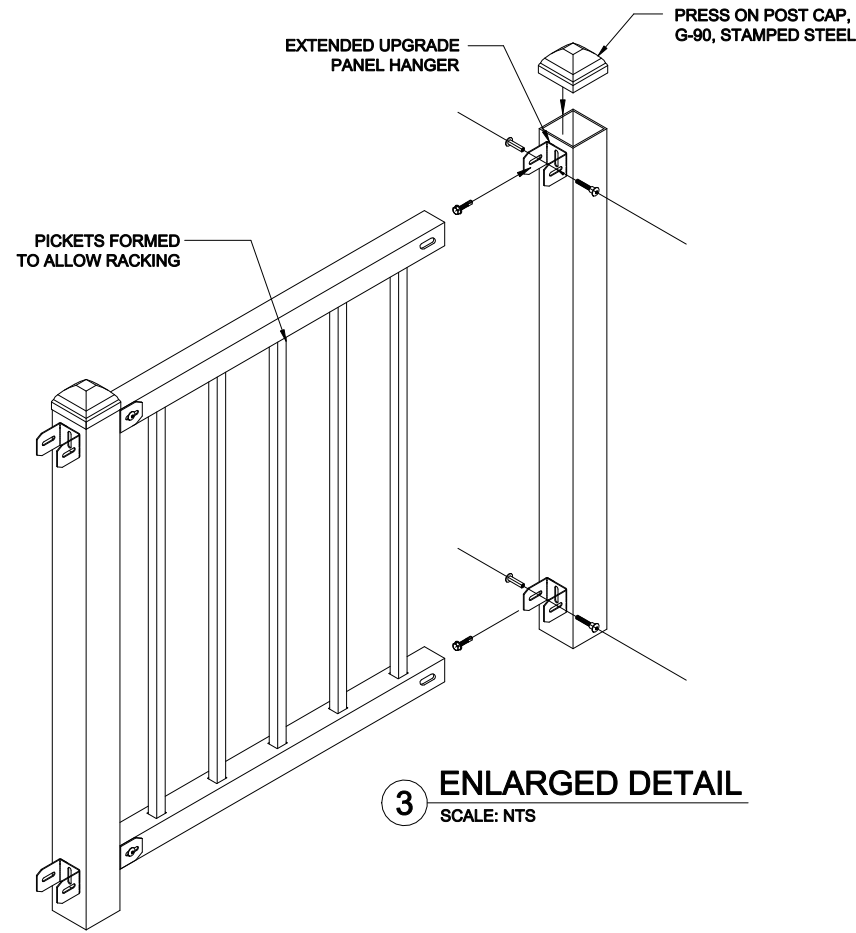


Commercial  
Landmark  
4"OC  
7'H  
2 Rail

Commercial 4" O.C. Post Spacing Chart

POST SIZE	BETWEEN POSTS	POST O.C.
2"	91 1/16"	93 1/16"
2 1/2"	91 1/16"	93 9/16"
3"	91 1/16"	94 1/16"
4"	91 1/16"	95 1/16"
6"	91 1/16"	97 1/16"



2 7'H UPGRADE PANEL SECTION  
SCALE: NTS

1 7'H UPGRADE PANEL ELEVATION  
SCALE: NTS

QTY:   
GALVANIZED STEEL TUBING  
POWDER COAT: SEMI-GLOSS BLACK (STD.)

**IBI BETAFENCE USA**

Main: 972-878-7000 Fax: 214-887-4552  
3309 S. I-45 ENNIS, TX 75119  
www.BetafenceUSA.com

**U-4471-80-FGB-HG**

VIEW:	MULTI	
SCALE:	NTS	
DRAWN BY:	JGS	
CHECKED BY:		
APPROVED BY:		
DATE:	24-AUG-10	
FILE:		
REV	DATE	DRAFTER

**SHEET  
2.00**