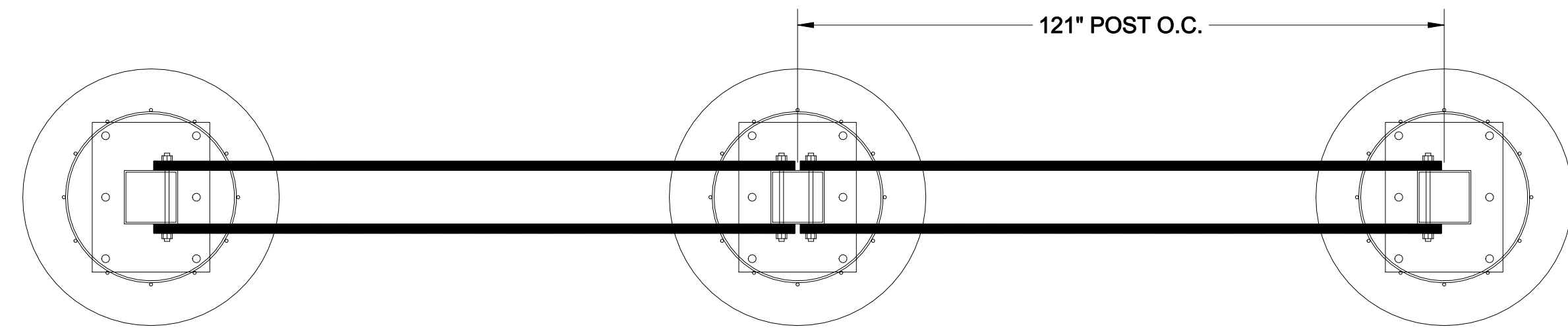
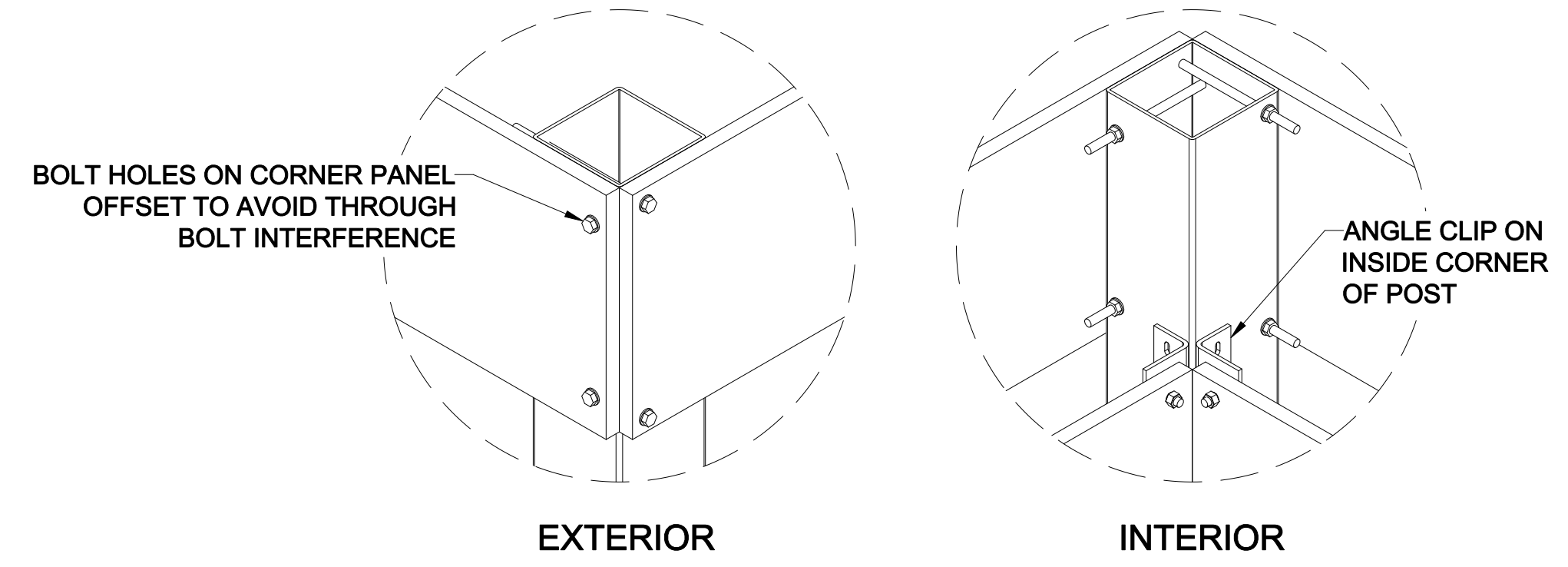


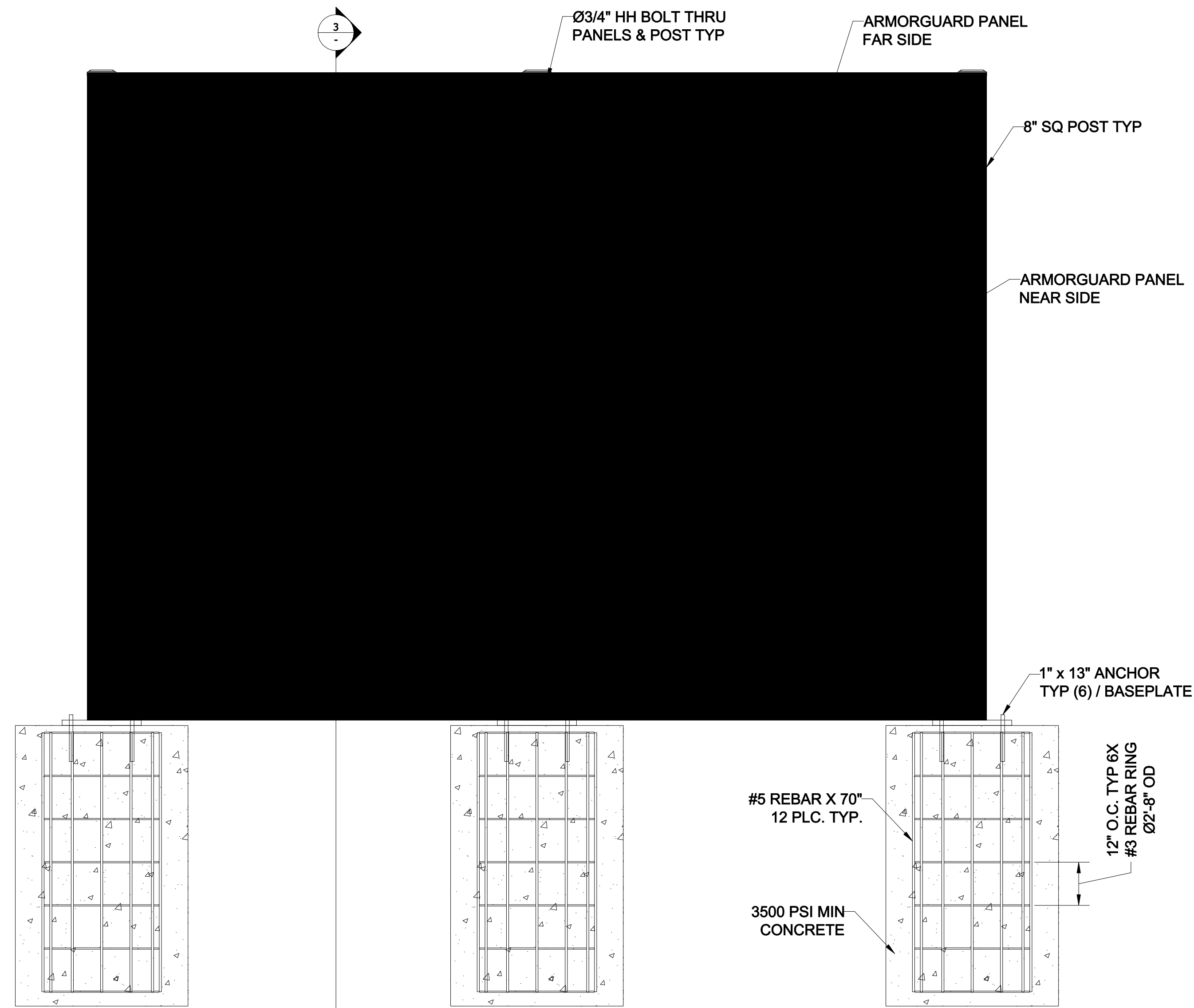
DISCLAIMER: DRAWINGS MAY NOT INCLUDE FULL PRODUCT DETAILS AND CAN CHANGE WITHOUT NOTICE.



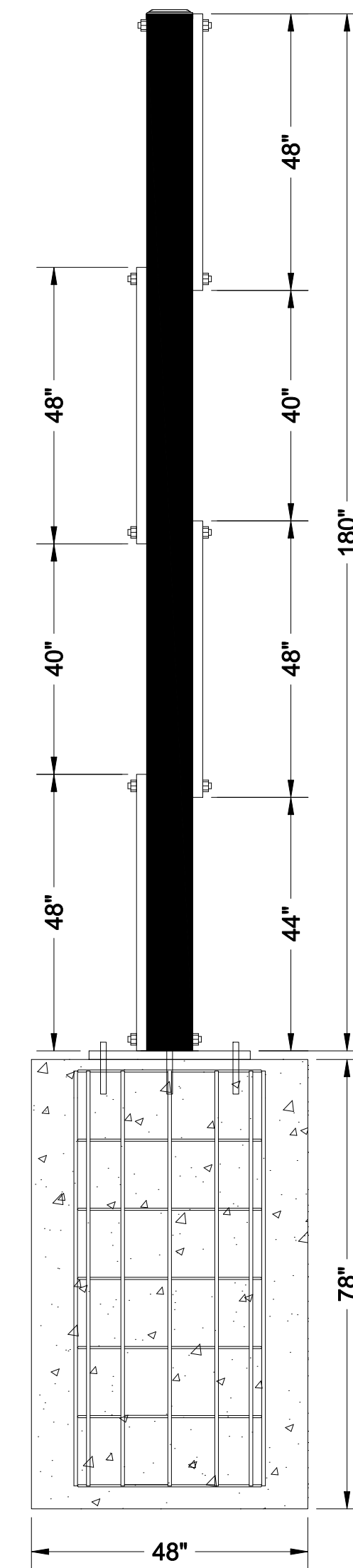
2 PLAN
SCALE: NTS



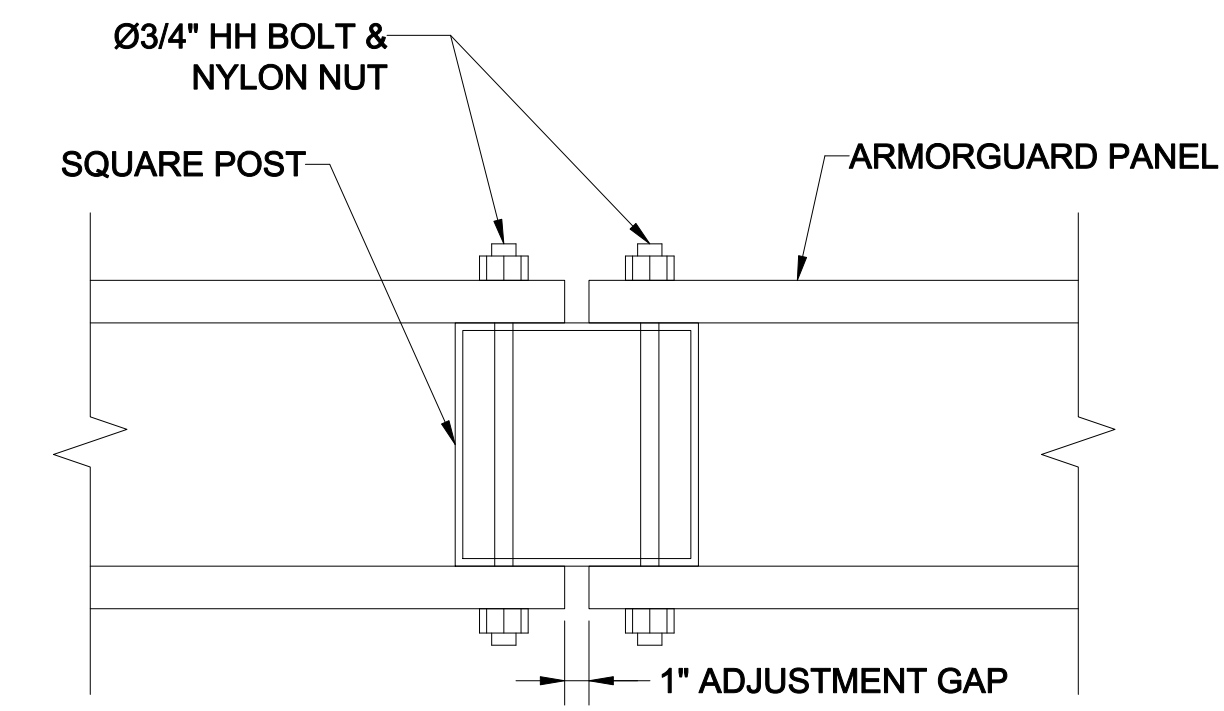
6 CORNER DETAILS
SCALE: NTS



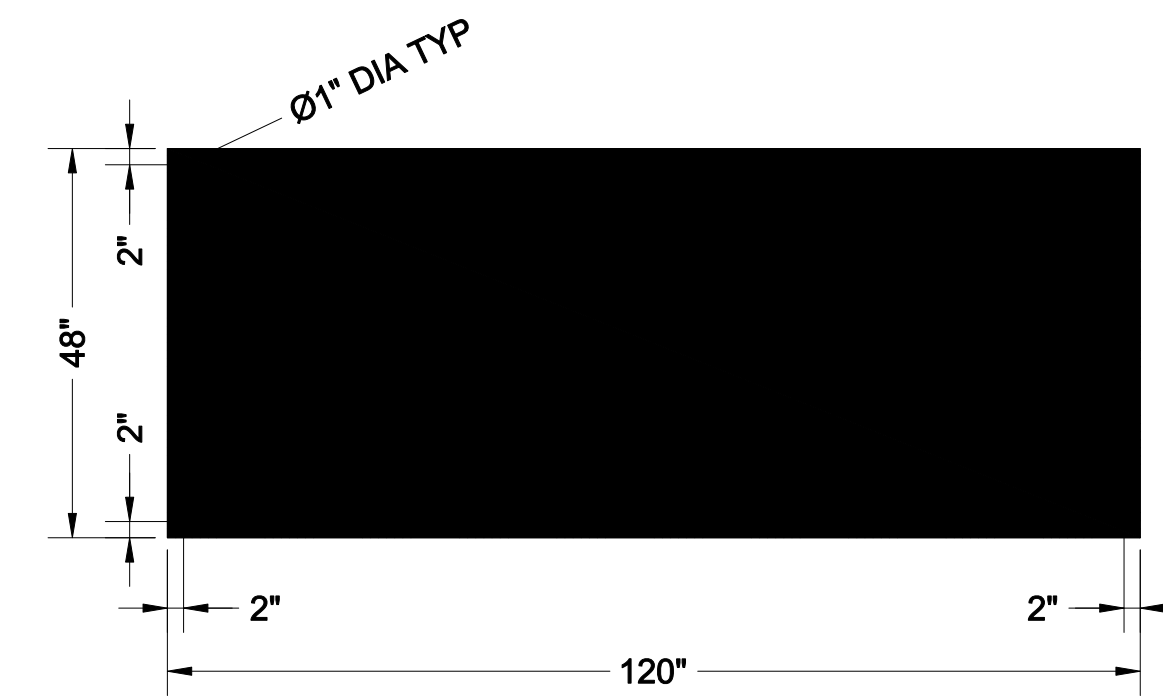
1 ARMORGUARD
TYPICAL ELEVATION
SCALE: NTS



3 SECTION
SCALE: NTS



5 PLAN
DETAIL AT POST
SCALE: NTS



4 PANEL DETAIL
SCALE: NTS

NOTICE: ALL INTELLECTUAL PROPERTY (INCLUDING, WITHOUT LIMITATION, ALL COPYRIGHT AND DESIGN RIGHTS) AND PROPRIETARY RIGHTS TO ALL INFORMATION AND/OR TECHNICAL DATA CONTAINED ON THIS DRAWING BELONGS TO GUARDIAR USA, LLC. THE DRAWING MUST BE MAINTAINED BY YOU, THE RECIPIENT, IN STRICT CONFIDENCE. THIS DRAWING IS NOT TO BE DISCLOSED OR REPRODUCED, IN WHOLE OR IN PART, DIRECTLY OR INDIRECTLY, IN ANY MANNER WHATSOEVER, WITHOUT THE EXPRESS WRITTEN CONSENT OF GUARDIAR USA, LLC AND IT SHALL BE RETURNED UPON REQUEST.

Guardiar
Main: 972-878-7000 Fax: 214-887-4552
3309 S. I-45 ENNIS, TX 75119
www.Guardiar.com

REV	DATE	DESCRIPTION	BY

**ARMORGUARD
TYPICAL ELEVATION**
FINISH: HDG OR POWDERCOATED
MATERIAL SPECIFICATIONS:
A36 STEEL: ALL PLATE, ANGLE & CHANNEL
A500 GRADE B: ALL TUBE STEEL
A501 GRADE B: ALL TUBE STEEL
U.S.G.: ALL PREGALV. MATL. A563 W/MIN.
ZINC COATING WEIGHT 0.60 OZ/FT²

PROJECT	TYPICAL
CUSTOMER	CLIENT
QUOTE#	HS# HSXXXX
DATE	DRAFTER REVIEWER
14-DEC-18	TJR -

SHEET NO.
AG