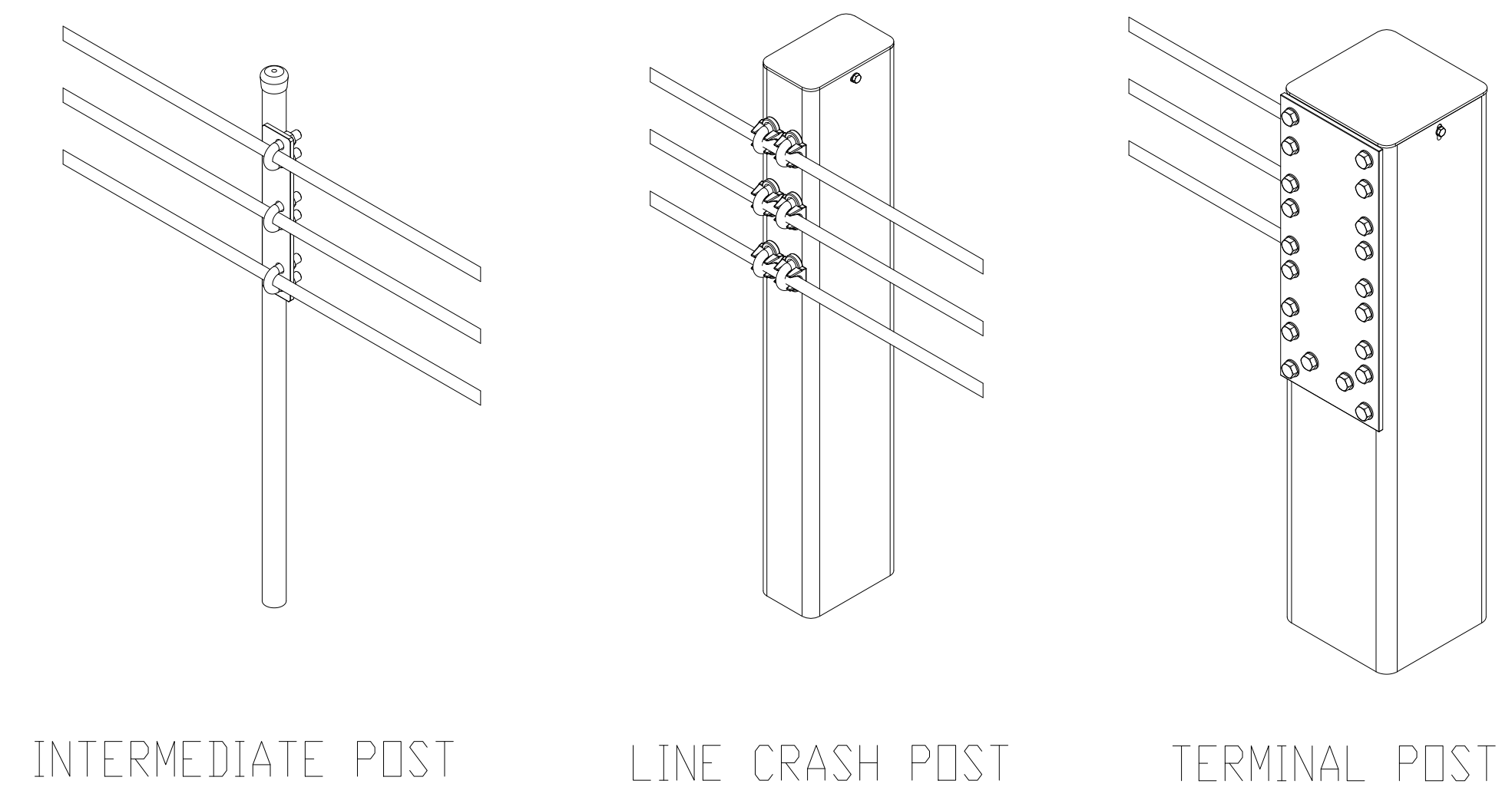
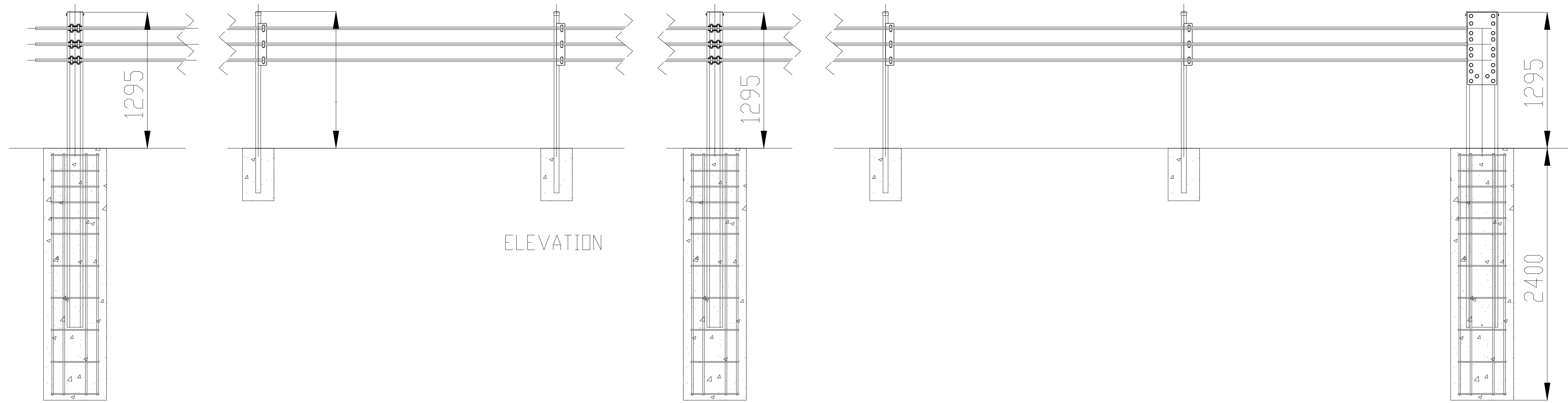
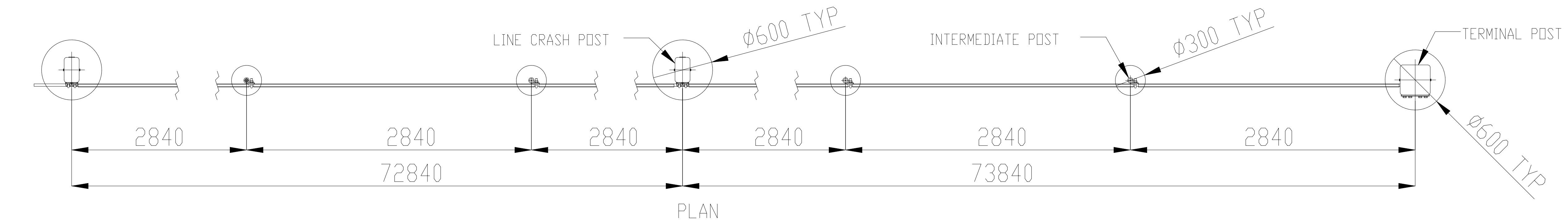


DISCLAIMER: DRAWINGS MAY NOT INCLUDE FULL PRODUCT DETAILS AND CAN CHANGE WITHOUT NOTICE.



NOTICE: ALL INTELLECTUAL PROPERTY (INCLUDING, WITHOUT LIMITATION, ALL COPYRIGHT AND DESIGN RIGHTS) AND PROPRIETARY RIGHTS TO ALL INFORMATION AND/OR TECHNICAL DATA CONTAINED ON THIS DRAWING BELONGS TO GUARDIAR USA, LLC. THE DRAWING MUST BE MAINTAINED BY YOU, THE RECIPIENT, IN STRICT CONFIDENCE. THIS DRAWING IS NOT TO BE DISCLOSED OR REPRODUCED, IN WHOLE OR IN PART, DIRECTLY OR INDIRECTLY, IN ANY MANNER WHATSOEVER, WITHOUT THE EXPRESS WRITTEN CONSENT OF GUARDIAR USA, LLC AND IT SHALL BE RETURNED UPON REQUEST.

Guardiar
 Main: 972-878-7000 Fax: 214-887-4552
 3309 S. I-45 ENNIS, TX 75119
 www.Guardiar.com

REV	DATE	DESCRIPTION	BY

M40-P1 CRASH FENCE
TYPICAL ELEVATION

FINISH: HDG OR POWDERCOATED

MATERIAL SPECIFICATIONS:
 A36 STEEL: ALL PLATE, ANGLE & CHANNEL
 A500 GRADE B: ALL TUBE STEEL
 U.S.G.: ALL PREGALV. MTL.; A563 W/MIN.
 ZINC COATING WEIGHT 0.80 OZ/SQ FT

PROJECT	TYPICAL
CUSTOMER	CLIENT
QUOTE#	HS# HSXXXX
DATE	DRAFTER
14-DEC-18	TJR
	REVIEWER
	-

SHEET NO.
M40-P1