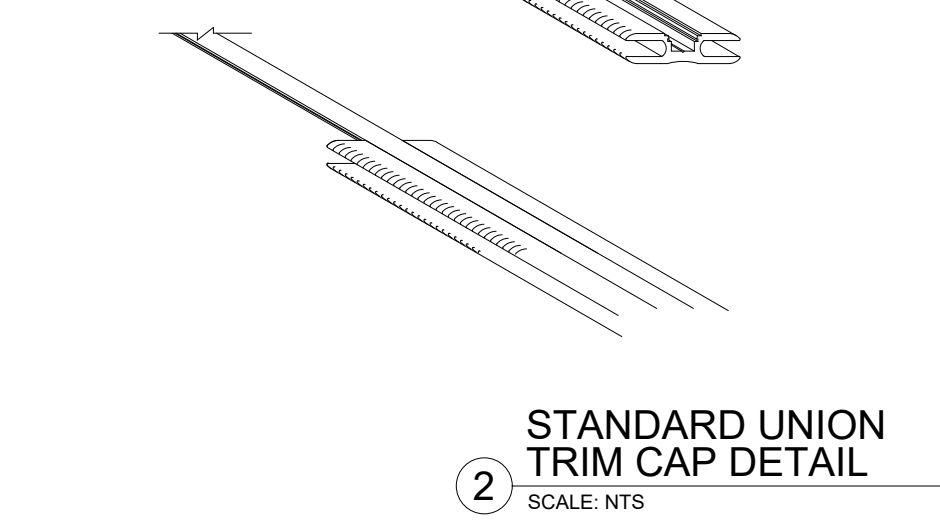


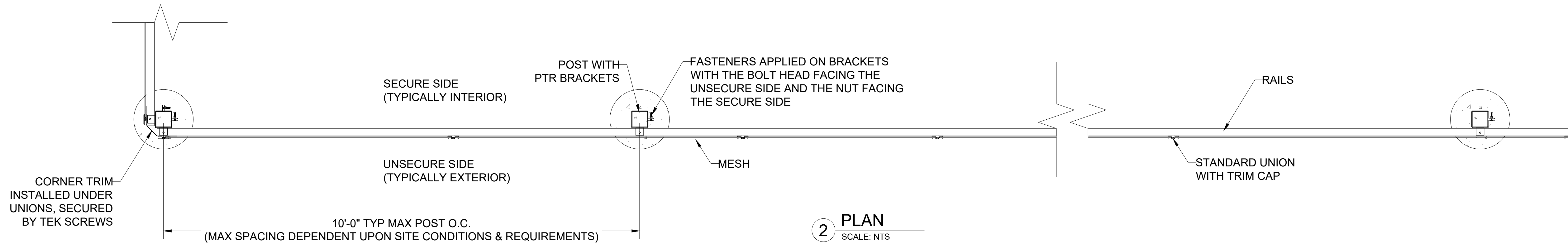
TRIM CAP

SLIDE TRIM CAP DOWN UNTIL APPROXIMATELY 2" IS LEFT ABOVE UNION. TAKE PLIERS AND SLIGHTLY SQUEEZE THE GUIDE TRACKS ON THE BACK SIDE TO HOLD TRIM CAP SECURELY IN PLACE.

ONCE GUARDIAN UNION IS SECURELY ATTACHED TO RAILS USING TEK SCREWS, SLIDE TRIM CAP INTO UNION SLOTS FROM THE TOP OF THE VERTICAL UNIONS.

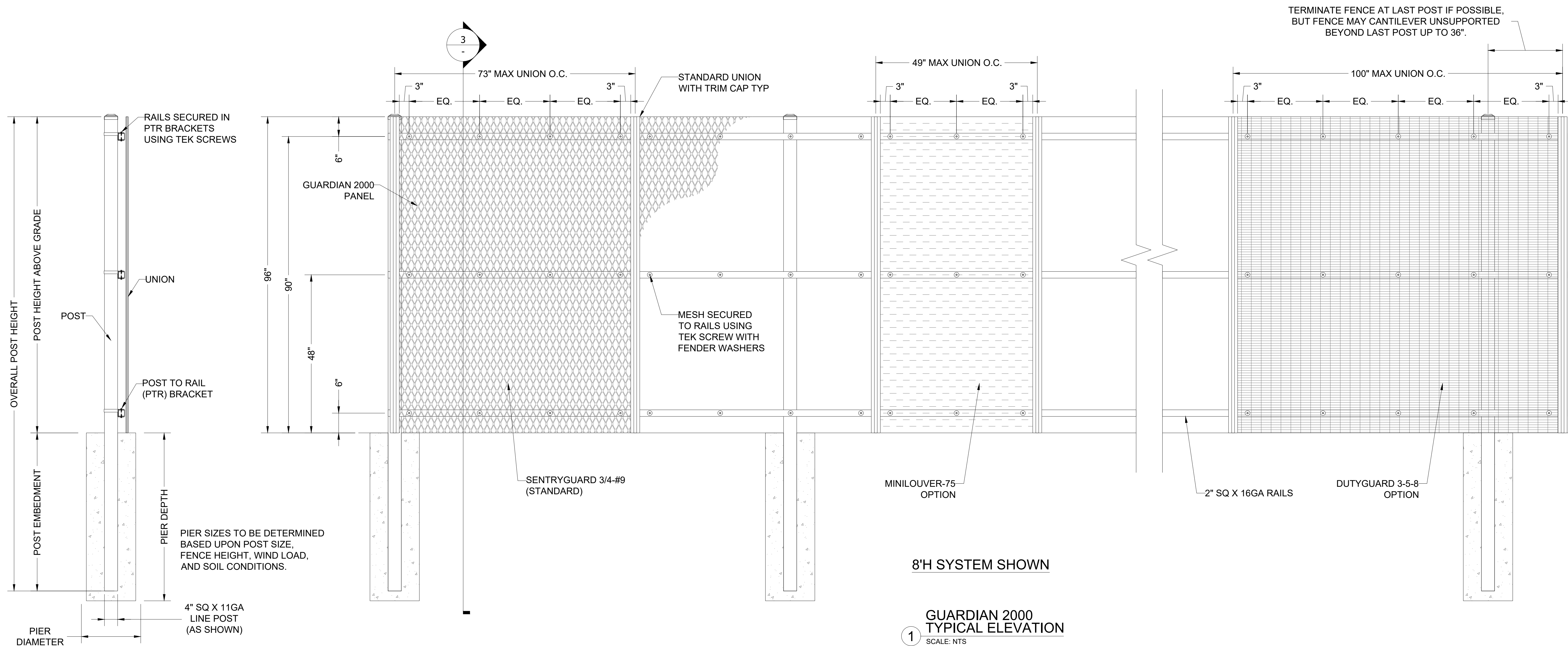


2 STANDARD UNION TRIM CAP DETAIL
SCALE: NTS



2 PLAN
SCALE: NTS

NOTICE: ALL INTELLECTUAL PROPERTY (INCLUDING, WITHOUT LIMITATION, ALL COPYRIGHT AND DESIGN RIGHTS) AND PROPRIETARY RIGHTS TO ALL INFORMATION AND/OR TECHNICAL DATA CONTAINED ON THIS DRAWING BELONGS TO GUARDIAR USA, LLC. THE DRAWING MUST BE MAINTAINED BY YOU, THE RECIPIENT, IN STRICT CONFIDENCE. THIS DRAWING IS NOT TO BE DISCLOSED OR REPRODUCED, IN WHOLE OR IN PART, DIRECTLY OR INDIRECTLY, IN ANY MANNER WHATSOEVER, WITHOUT THE EXPRESS WRITTEN CONSENT OF GUARDIAR USA, LLC AND IT SHALL BE RETURNED UPON REQUEST.



1 GUARDIAN 2000 TYPICAL ELEVATION
SCALE: NTS

8'H SYSTEM SHOWN

3 SECTION
SCALE: NTS

Guardiar
Main: 972-978-7000 Fax: 214-887-4652
3309 S. I-45 ENNIS, TX 75119
www.Guardiar.com

REV	DATE	DESCRIPTION	BY

GUARDIAN 2000 TYPICAL ELEVATION	
PROJECT TYPICAL	FINISH
CUSTOMER CLIENT	HSD HXXXX
QUOTE#	
DATE	DRAFTER REVIEWER
14-DEC-18	TJR
HDC OR POWDERCOATED	
MATERIAL SPECIFICATIONS A36 STEEL- ALL PLATE, ANGLE & CHANNEL A513 STEEL- ALL PIPE, TUBES, SHIMS COMMERCIAL GALV. UNL. SURF. COATING U.S.N.- ALL PRE-GALV. MAT'L. A653 MMIN. ZINC COATINGS WEIGHT 0.80/0.92 FT	

SHEET NO.
G2K

DISCLAIMER: DRAWINGS MAY NOT INCLUDE FULL PRODUCT DETAILS AND CAN CHANGE WITHOUT NOTICE.