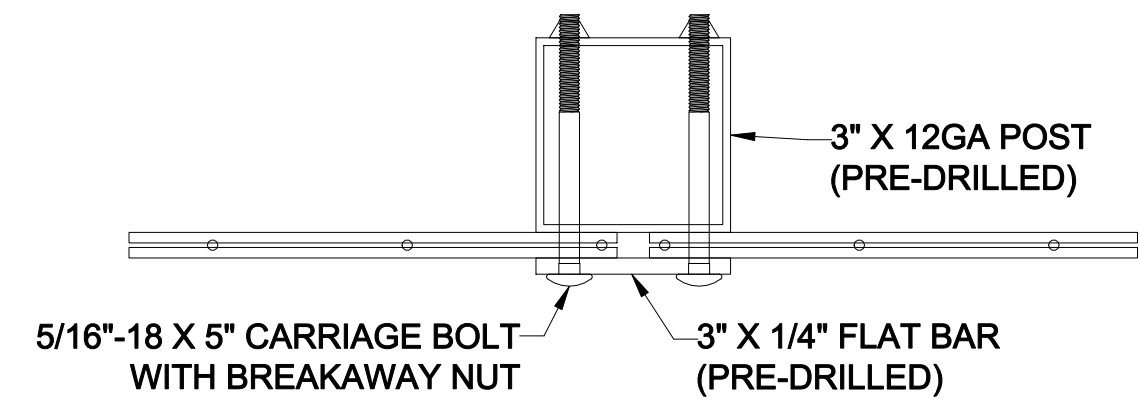
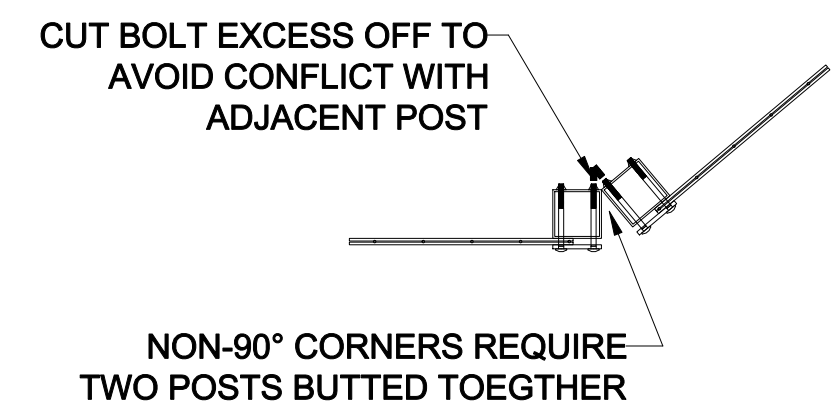


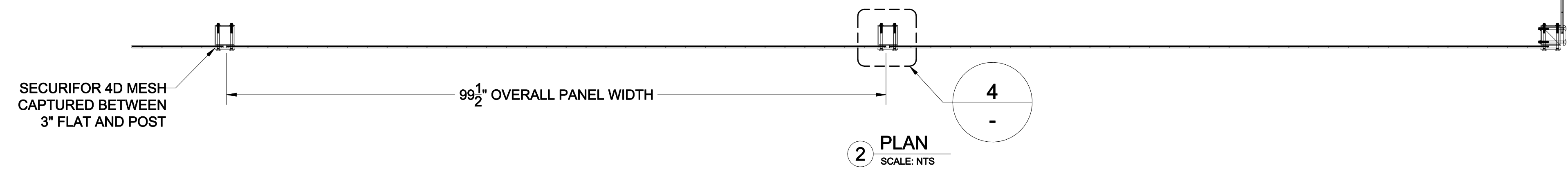
NOTICE: ALL INTELLECTUAL PROPERTY (INCLUDING, WITHOUT LIMITATION, ALL COPYRIGHT AND DESIGN RIGHTS) AND PROPRIETARY RIGHTS TO ALL INFORMATION AND/OR TECHNICAL DATA CONTAINED ON THIS DRAWING BELONGS TO GUARDIAR USA, LLC. THE DRAWING MUST BE MAINTAINED BY YOU, THE RECIPIENT, IN STRICT CONFIDENCE. THIS DRAWING IS NOT TO BE DISCLOSED OR REPRODUCED, IN WHOLE OR IN PART, DIRECTLY OR INDIRECTLY, IN ANY MANNER WHATSOEVER, WITHOUT THE EXPRESS WRITTEN CONSENT OF GUARDIAR USA, LLC AND IT SHALL BE RETURNED UPON REQUEST.



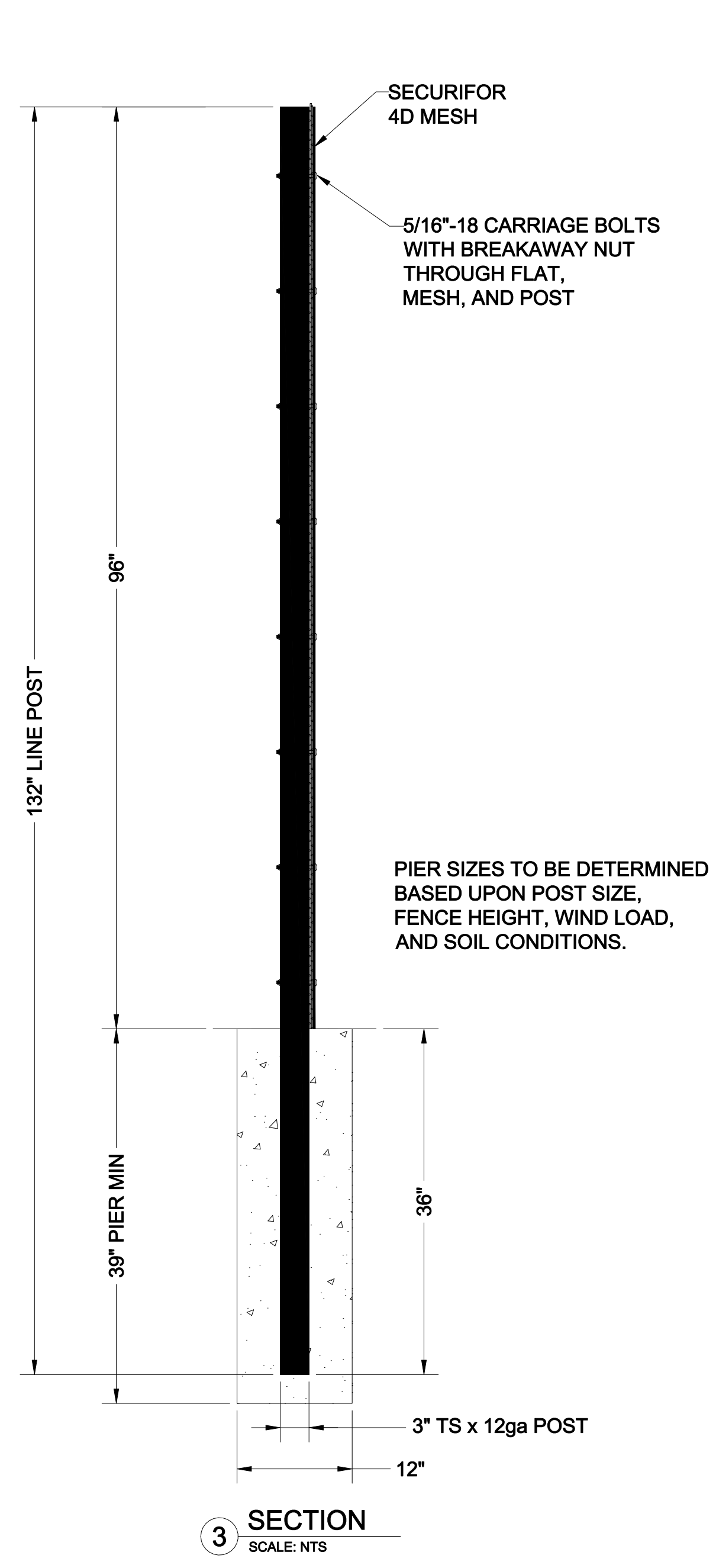
4 DETAIL AT POST
SCALE: NTS



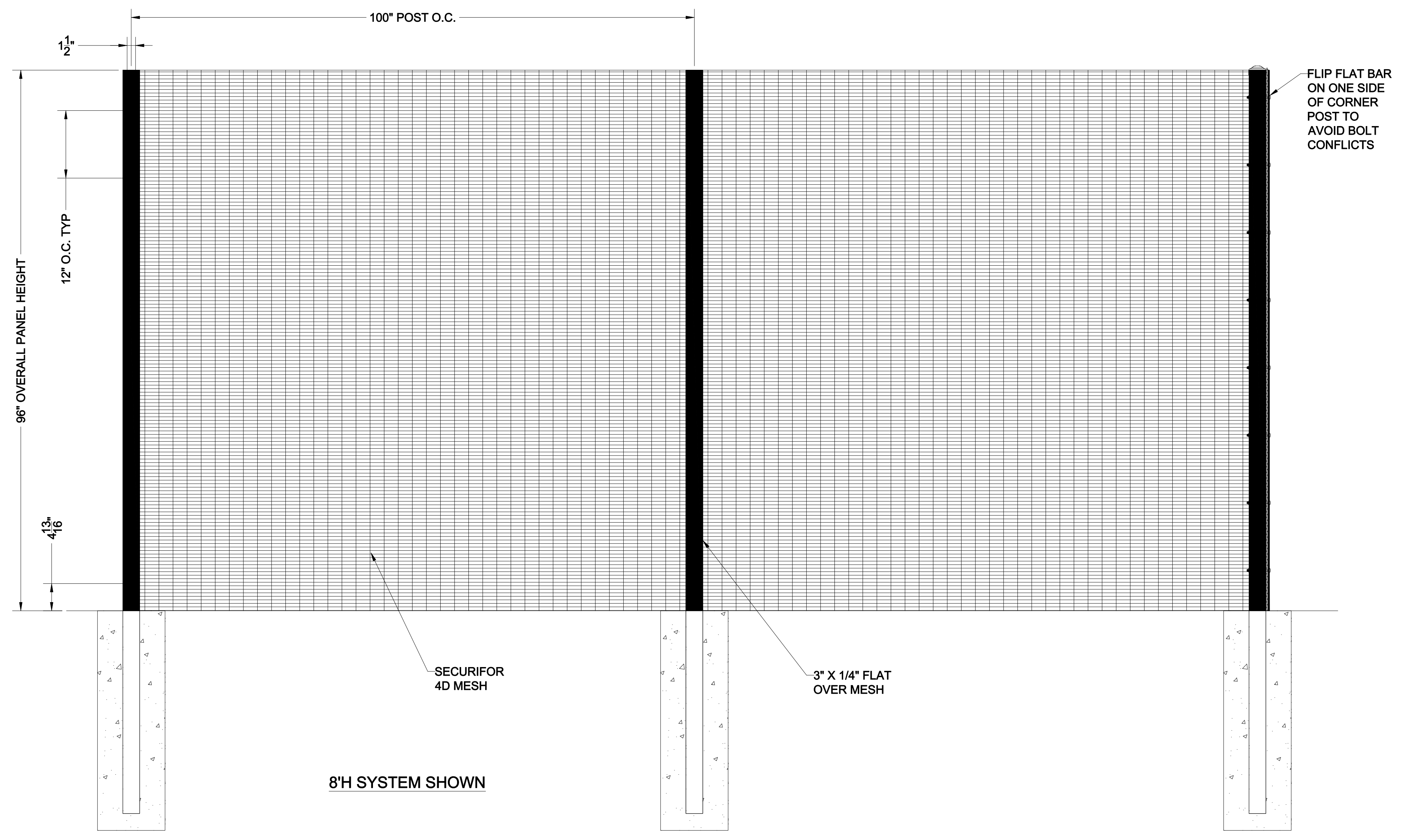
5 NON-90 CORNER DETAIL
SCALE: NTS



2 PLAN
SCALE: NTS



3 SECTION
SCALE: NTS



8'H SYSTEM SHOWN

1 SECURIFOR 4D TYPICAL ELEVATION
SCALE: NTS

Guardiar
Main: 972-878-7000 Fax: 214-887-4552
3309 S. I-45 ENNIS, TX 75119
www.Guardiar.com

REV	DATE	DESCRIPTION	BY

SECURIFOR 4D TYPICAL ELEVATION
FINISH: HDG OR POWDERCOATED
MATERIAL SPECIFICATIONS:
A36 STEEL: ALL PLATE, ANGLE & CHANNEL
A500 GRADE B: ALL TUBE STEEL
A501: ALL CHANNELS
U.S.N.: ALL PRE-GALV. MATL.; A563: W/MIN. ZINC COATING WEIGHT 0.80 OZ/FT²

PROJECT	TYPICAL
CUSTOMER	CLIENT
QUOTE#	HS# HSXXXX
DATE	DRAFTER
14-DEC-18	REVIEWER
TJR	-

SHEET NO.
SEC4D

DISCLAIMER: DRAWINGS MAY NOT INCLUDE FULL PRODUCT DETAILS AND CAN CHANGE WITHOUT NOTICE.