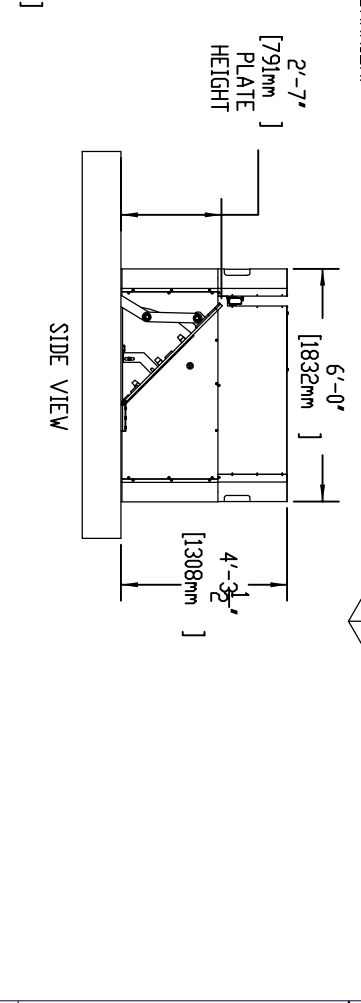
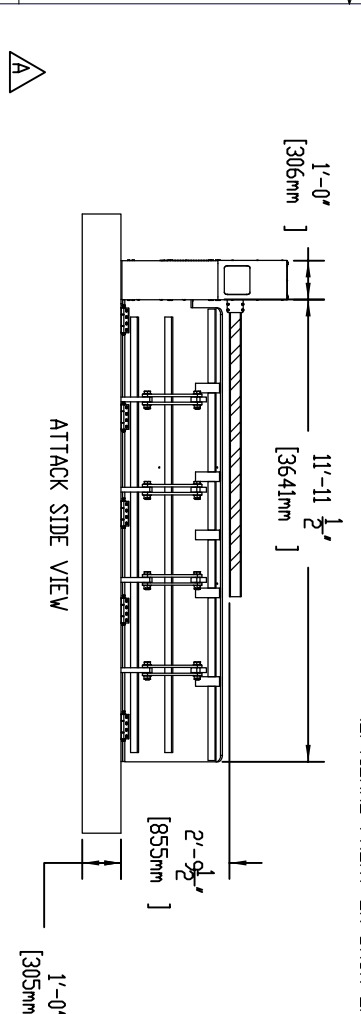
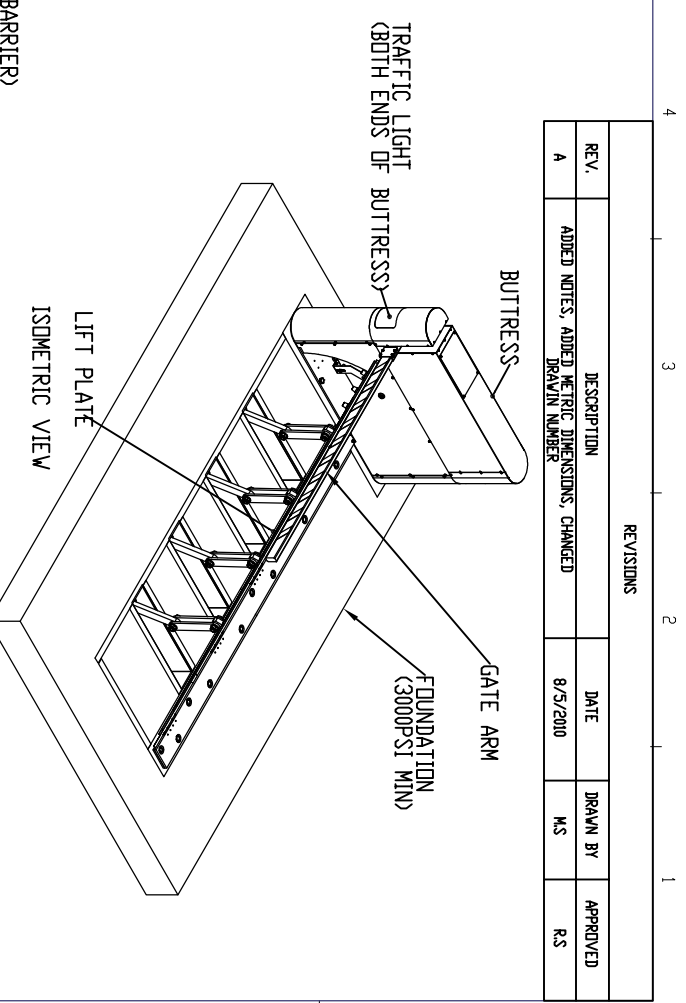
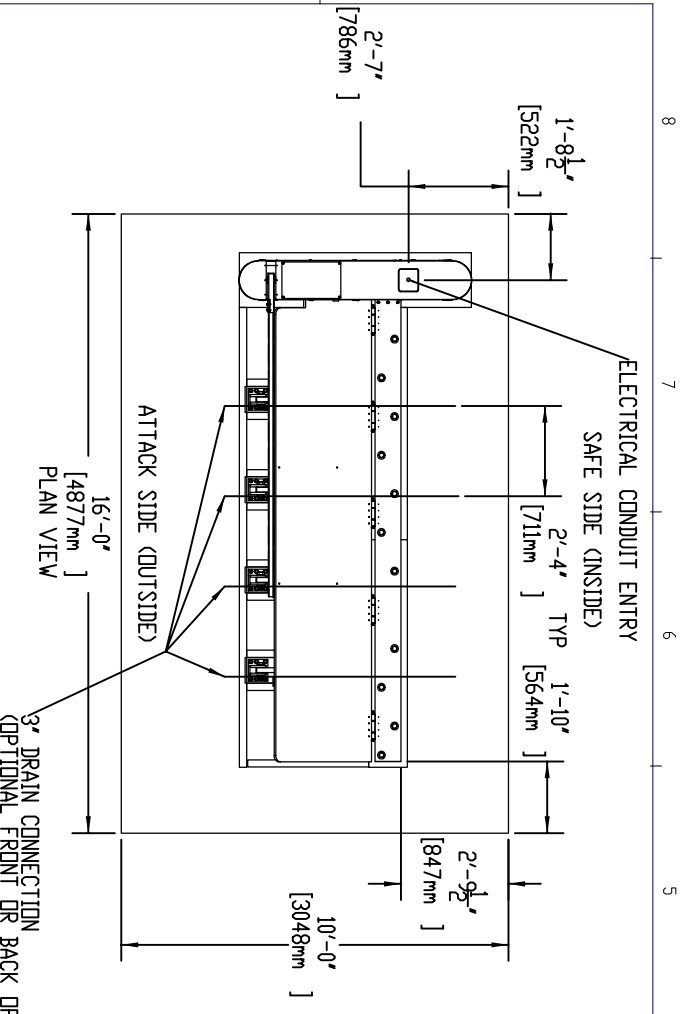


REVISIONS				
REV.	DESCRIPTION	DATE	DRAWN BY	APPROVED
A	ADDED NOTES, ADDED METRIC DIMENSIONS, CHANGED DRAIN NUMBER	8/5/2010	MS	RS



- NOTE:**
1. INSTALLATION TO BE COMPLETED IN ACCORDANCE WITH MANUFACTURERS SPECIFICATIONS.
 2. ENTRY BARRIER SHOWN (GATE ARM ON ATTACK SIDE).
 3. CRASH RATING: 15000LB (6800KG) @ 40MPH (65KM) M40.
 4. REBAR REQUIRED: 370LB.

PROPRIETARY AND CONFIDENTIAL

THIS DRAWING, UNLESS OTHERWISE NOTED, REMAINS CONFIDENTIAL. PROPERTY AND IS DESCRIBED AS TRADE SECRET. IT SHALL NOT BE DISCLOSED, REPRODUCED OR USED FOR ANY PURPOSE, DESIGN OR CONSTRUCTION WITHOUT THE WRITTEN PERMISSION OF SECUREUSA, INC. THE RECIPIENT OF THIS DRAWING SHALL ASSUME ALL LIABILITY HEREIN AND UNDER THE ABOVE TERMS AGREE NOT TO ALLOW USE BY UNAUTHORIZED PERSONS. ©2006 SECUREUSA, INC. (ALL RIGHTS RESERVED)

<p>SecureUSA Inc.</p> <p>4250 Keith Bridge Road Cumming, GA 30041 Toll Free: 888.222.4559 / Fax: 770.899.7939 www.secureusa.net</p>		<p>SecureUSA, Inc.</p> <p>31 IN 12 FT LH SHALLOW MOUNTED FUTURE WEDGE BARRIER</p>	
<p>UNLESS OTHERWISE SPECIFIED DIMENSIONS ARE IN INCHES</p> <p>ALL DIMENSIONS SHALL BE TO FACE UNLESS OTHERWISE SPECIFIED</p> <p>DO NOT SCALE DRAWING</p> <p>THIRD ANGLE PROJECTION</p>	<p>DRAWN BY: M.S.</p> <p>CHECKED: RS</p> <p>DATE: 3/16/2009</p>	<p>DESCRIPTION: 31 IN 12 FT LH SHALLOW MOUNTED FUTURE WEDGE BARRIER</p> <p>SCALE: 1/40</p> <p>WEIGHT: 491188</p>	<p>REV: A</p> <p>SHEET 1 OF 1</p>