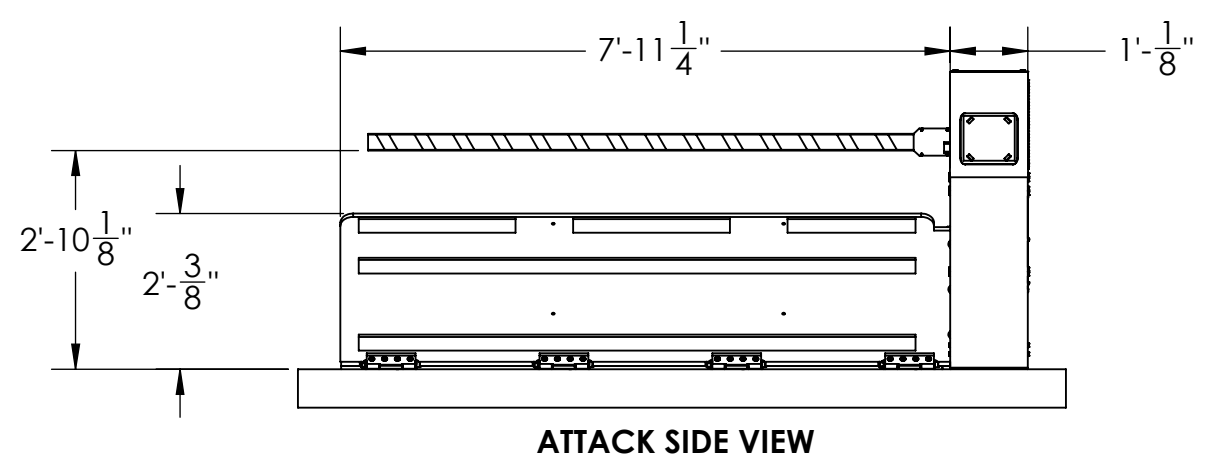
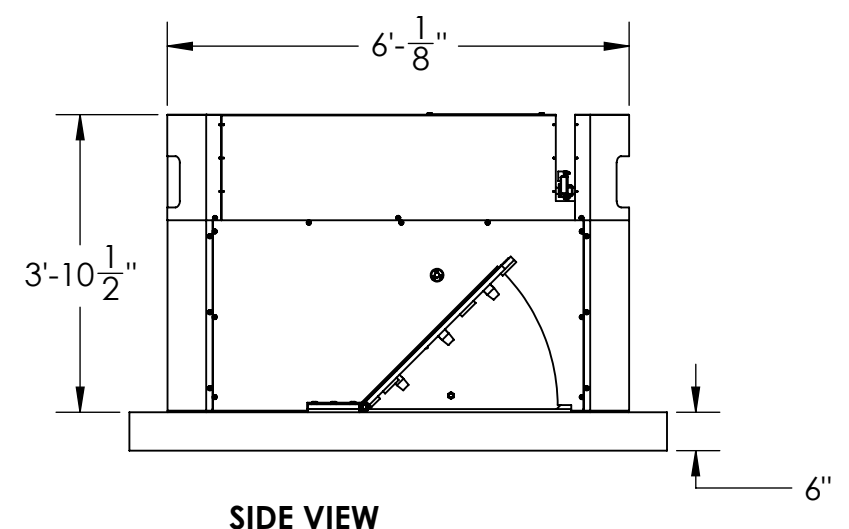
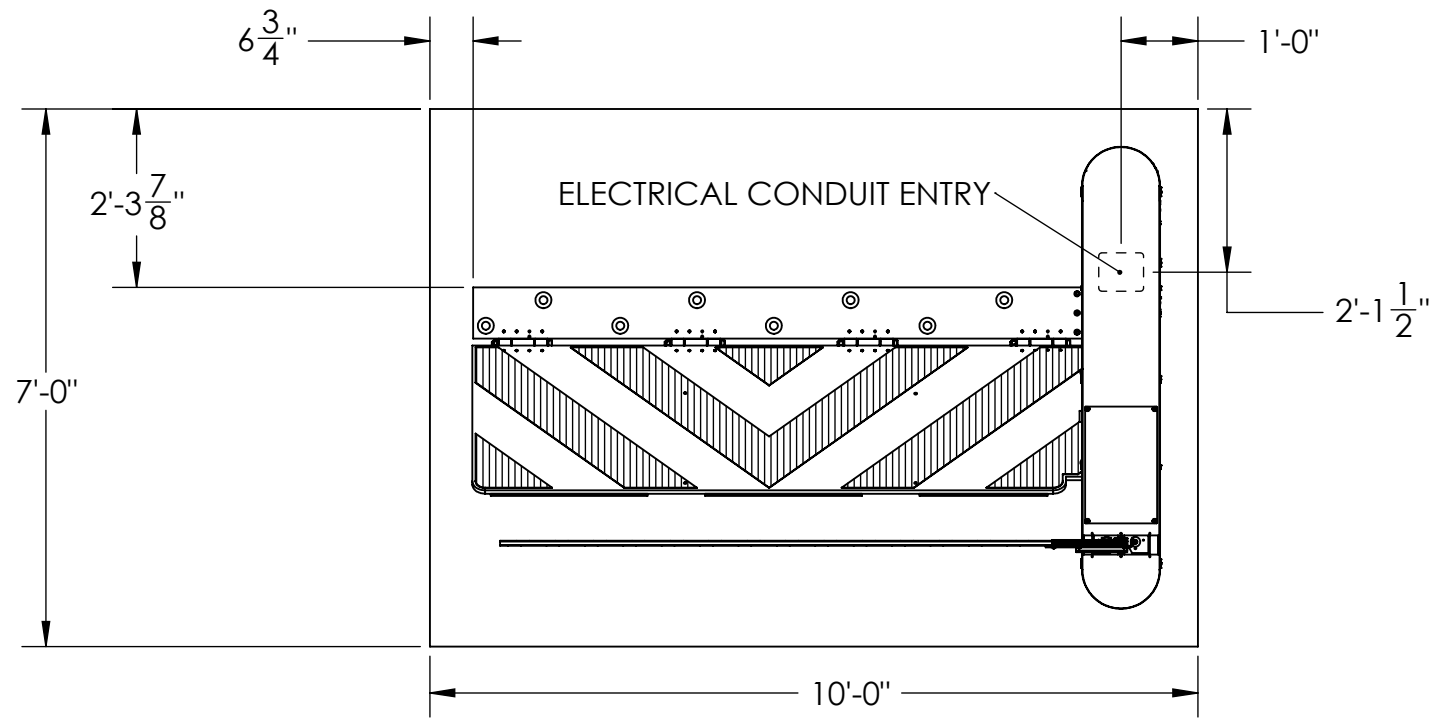
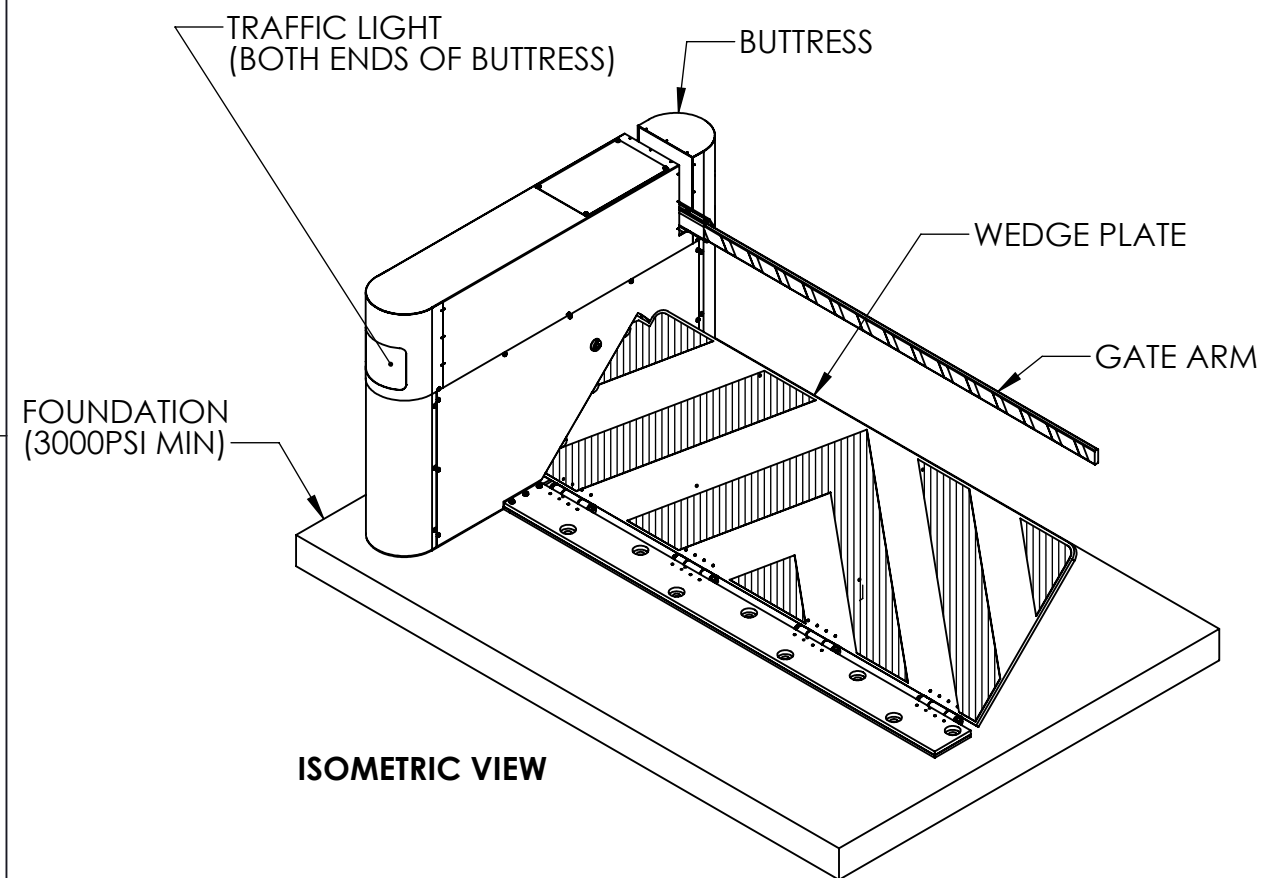


8 7 6 5 4 3 2 1

REVISIONS				
REV.	DESCRIPTION	DATE	DRAWN BY	APPROVED
A	ADDED NOTES, ADDED METRIC DIMENSIONS, CHANGED DRAWING NUMBER	8/4/2010	M.S	R.S



- NOTE:**
1. INSTALLATION TO BE COMPLETED IN ACCORDANCE WITH MANUFACTURERS SPECIFICATIONS
  2. ENTRY BARRIER SHOWN (GATE ARM ON SAFE SIDE).
  3. CRASH RATING: 5000LB (2250KG) @ 40MPH (64KM) PU40
  4. REBAR REQUIRED: 100LB

**PROPRIETARY AND CONFIDENTIAL**  
THIS DRAWING, UNLESS OTHERWISE NOTED, REMAINS CONFIDENTIAL PROPERTY AND IS DESCRIBED AS TRADE SECRET. IT SHALL NOT BE DISCLOSED, REPRODUCED OR USED FOR MANUFACTURE, DESIGN OR CONSTRUCTION WITHOUT THE EXPRESS AUTHORIZATION OF SECUREUSA, INC. THE RECIPIENT BY ACCEPTING THIS DRAWING, ASSUMES CUSTODY THEREOF AND UNDER THE ABOVE TERMS, AGREES NOT TO ALLOW USE BY UNAUTHORIZED PERSONS.  
©2006 SECUREUSA INC. (ALL RIGHTS RESERVED)

CAD GENERATED DRAWING NO MANUAL REVISIONS ALLOWED		<b>SECURE USA</b> A Safer Future™		<b>SecureUSA, Inc.</b> 1649 NW 136th Ave. Sunrise, FL 33323 Toll Free: 888.222.4559 www.SecureUSA.net	
TOLERANCES UNLESS OTHERWISE SPECIFIED DIMENSIONS ARE: INCHES X/X ±1/16 X ±0.1 XX ±0.02 XXX ±0.005 ANGLE ±30MIN BREAK ALL SHARP EDGES DO NOT SCALE DRAWING		DRAWN BY AA	DESCRIPTION 24 IN 8 FT RH SURFACE MOUNTED FUTUREWEDGE BARRIER		
THIRD ANGLE PROJECTION		CHECKED AA	SIZE B DWG NO SMS2408-2 RH EXIT GA		
MATERIAL		APVD	REV A		
FINISH		DATE 2/6/2009	SCALE: 1:30 WEIGHT: 1800.46		
VERSION 1.0		SHEET 1 OF 3			

8 7 6 5 4 3 2 1

8 7 6 5 4 3 2 1

D

D

C

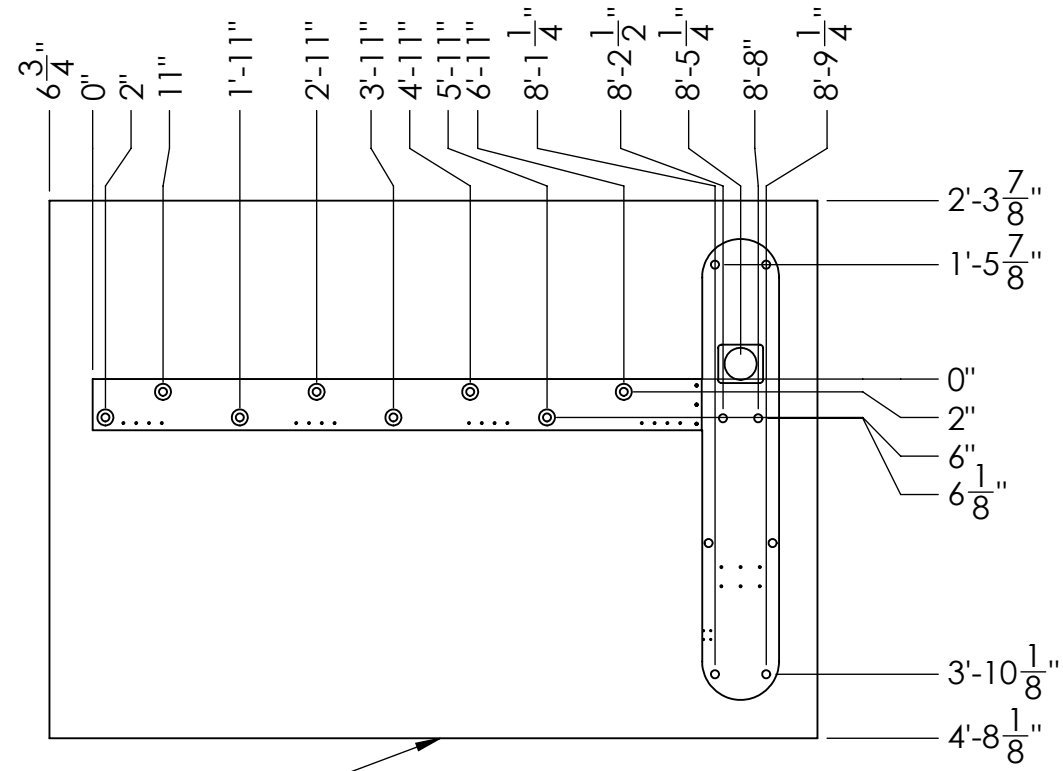
C

B

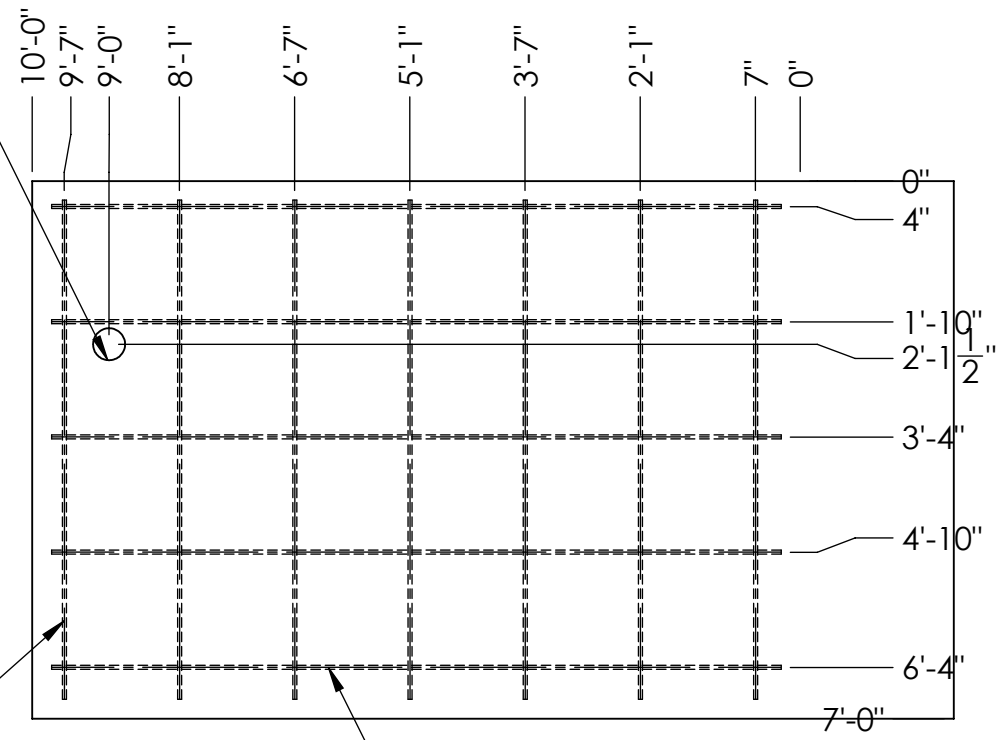
B

A

A



ELECTRICAL CONDUIT

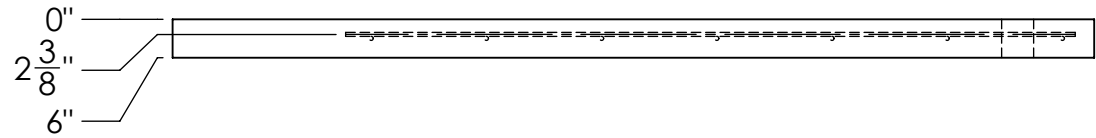


4000 PSI CONCRETE

7X #5 REBAR 6'-6" LG

5X #5 REBAR 9'-6" LG

ANCHOR BOLT LOCATION

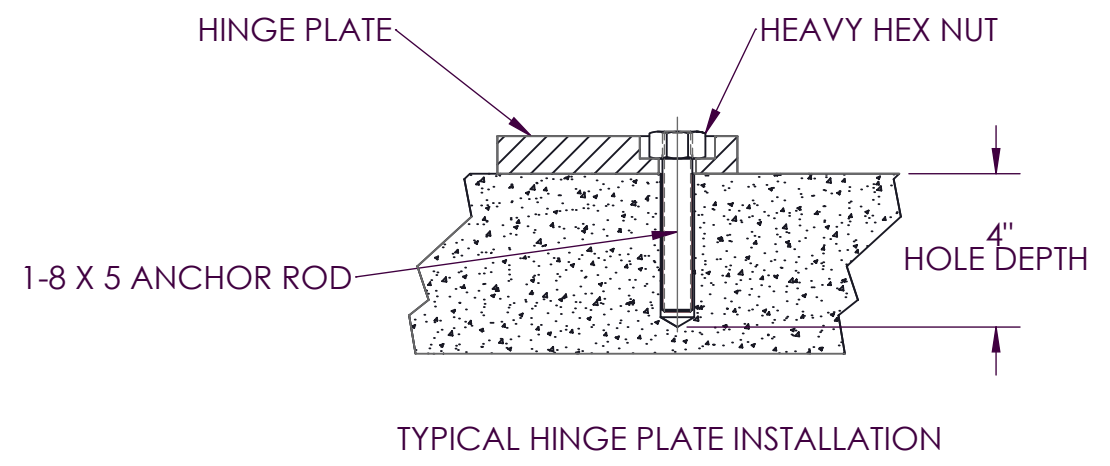
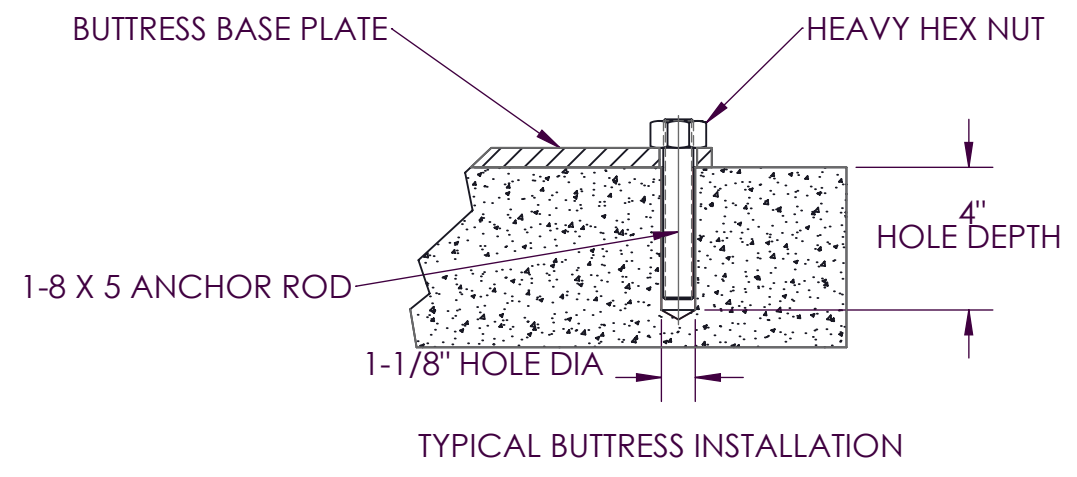


**PROPRIETARY AND CONFIDENTIAL**  
 THIS DRAWING, UNLESS OTHERWISE NOTED, REMAINS CONFIDENTIAL PROPERTY AND IS DESCRIBED AS TRADE SECRET. IT SHALL NOT BE DISCLOSED, REPRODUCED OR USED FOR MANUFACTURE, DESIGN OR CONSTRUCTION WITHOUT THE EXPRESS AUTHORIZATION OF SECUREUSA, INC. THE RECIPIENT BY ACCEPTING THIS DRAWING, ASSUMES CUSTODY THEREOF AND UNDER THE ABOVE TERMS, AGREES NOT TO ALLOW USE BY UNAUTHORIZED PERSONS.  
 ©2006 SECUREUSA INC. (ALL RIGHTS RESERVED)

Resource\SecureUSA Products\Product Drawing Files\Wedge Barriers\24XX\General Arrangements\SMS2408

CAD GENERATED DRAWING NO MANUAL REVISIONS ALLOWED		<b>SECURE USA</b> A Safer Future™		<b>SecureUSA, Inc.</b> 1649 NW 136th Ave. Sunrise, FL 33323 Toll Free: 888.222.4559 www.SecureUSA.net	
TOLERANCES UNLESS OTHERWISE SPECIFIED DIMENSIONS ARE: INCHES X/X ±1/16 X ±0.1 XX ±0.02 XXX ±0.005 ANGLE ±30MIN BREAK ALL SHARP EDGES DO NOT SCALE DRAWING THIRD ANGLE PROJECTION		DRAWN BY AA	DESCRIPTION 24 IN 8 FT RH SURFACE MOUNTED FUTUREWEDGE BARRIER		
		CHECKED AA	MATERIAL	SIZE <b>B</b>	DWG NO SMS2408-2 RH EXIT GA
		APVD	FINISH	REV <b>A</b>	
		DATE 2/6/2009	VERSION	SCALE: 1:30	WEIGHT: 5369.52
				SHEET 2 OF 3	

8 7 6 5 4 3 2 1



**-ENLARGED VIEWS-  
TYPICAL ANCHOR ROD INSTALLATIONS**

- INSTALLATION SPECIFICATIONS:**
1. PROVIDE 1-8 UNC X 5" ASTM A193 GRADE B7 THREADED ANCHOR RODS.
  2. INSERT ANCHOR RODS INTO THE CONCRETE AS SHOWN ABOVE USING C6 FAST CURE EPOXY AT ALL LOCATIONS.
  3. ANCHORS SHALL NOT BE INSTALLED WITHIN 3" OF CONSTRUCTION OR CONTROL JOINTS IN THE SLAB.

**GENERAL SPECIFICATIONS:**

1. THE CONTRACTOR SHALL USE MATERIALS AND EMPLOY CONSTRUCTION METHODS NECESSARY IN ORDER TO COMPLY WITH THE DESIGN DRAWINGS.
2. IT IS THE CONTRACTORS SOLE RESPONSIBILITY TO FOLLOW ALL APPLICABLE SAFETY CODES AND REGULATIONS DURING ALL PHASES OF CONSTRUCTION.
3. THE CONTRACTOR SHALL VERIFY ALL DIMENSIONS AND EXISTING CONDITIONS.

**CONCRETE SPECIFICATIONS-EXISTING SLAB:**

1. INSTALLATION SHALL COMPLY WITH THE MANUFACTURERS RECOMMENDATIONS.
2. THE EXISTING SLAB ON GRADE SHALL CONSIST OF STRUCTURALLY SOUND CONCRETE WITH NO CRACKS OR DEFECTS. WHERE DEFECTS EXIST THEY MUST BE PROPERLY REPAIRED.
3. THE EXISTING CONCRETE SHALL HAVE A MINIMUM COMPRESSIVE STRENGTH OF 3,000 PSI AND A MINIMUM DEPTH OF 6". THE SLAB SHALL BE FLAT WITHIN ± 1/4" PER 10' SPAN.

**CONCRETE SPECIFICATIONS-NEW SLAB:**

1. INSTALLATION SHALL COMPLY WITH THE MANUFACTURERS RECOMMENDATIONS.
2. THE SLAB ON GRADE SHALL CONSIST OF STRUCTURALLY SOUND CONCRETE WITH NO CRACKS OR DEFECTS.
3. THE SLAB SHALL HAVE A MINIMUM COMPRESSIVE STRENGTH OF 3,000 PSI AND A MINIMUM DEPTH OF 6". THE SLAB SHALL BE FLAT WITHIN ± 1/4" PER 10' SPAN.

**PROPRIETARY AND CONFIDENTIAL**  
THIS DRAWING, UNLESS OTHERWISE NOTED, REMAINS CONFIDENTIAL PROPERTY AND IS DESCRIBED AS TRADE SECRET. IT SHALL NOT BE DISCLOSED, REPRODUCED OR USED FOR MANUFACTURE, DESIGN OR CONSTRUCTION WITHOUT THE EXPRESS AUTHORIZATION OF SECUREUSA, INC. THE RECIPIENT BY ACCEPTING THIS DRAWING, ASSUMES CUSTODY THEREOF AND UNDER THE ABOVE TERMS SHALL NOT TO ALLOW USE BY UNAUTHORIZED PERSONS.  
©2006 SECUREUSA INC. (ALL RIGHTS RESERVED)

CAD GENERATED DRAWING NO MANUAL REVISIONS ALLOWED		<b>SECURE USA</b> A Safer Future™		<b>SecureUSA, Inc.</b> 1649 NW 136th Ave. Sunrise, FL 33323 Toll Free: 888.222.4559 www.SecureUSA.net	
TOLERANCES UNLESS OTHERWISE SPECIFIED DIMENSIONS ARE: INCHES X/X ±1/16 X ±0.1 XX ±0.02 XXX ±0.005 ANGLE ±30MIN BREAK ALL SHARP EDGES DO NOT SCALE DRAWING		DRAWN BY AA	DESCRIPTION 24 IN 8 FT RH SURFACE MOUNTED FUTUREWEDGE BARRIER		
THIRD ANGLE PROJECTION		CHECKED AA	SIZE <b>B</b>		
		APVD	DWG NO SMS2408-2 RH EXIT GA		
		MATERIAL	REV <b>A</b>		
		FINISH	SCALE: 1:32		
		DATE 2/6/2009	WEIGHT:		
		VERSION	SHEET 3 OF 3		