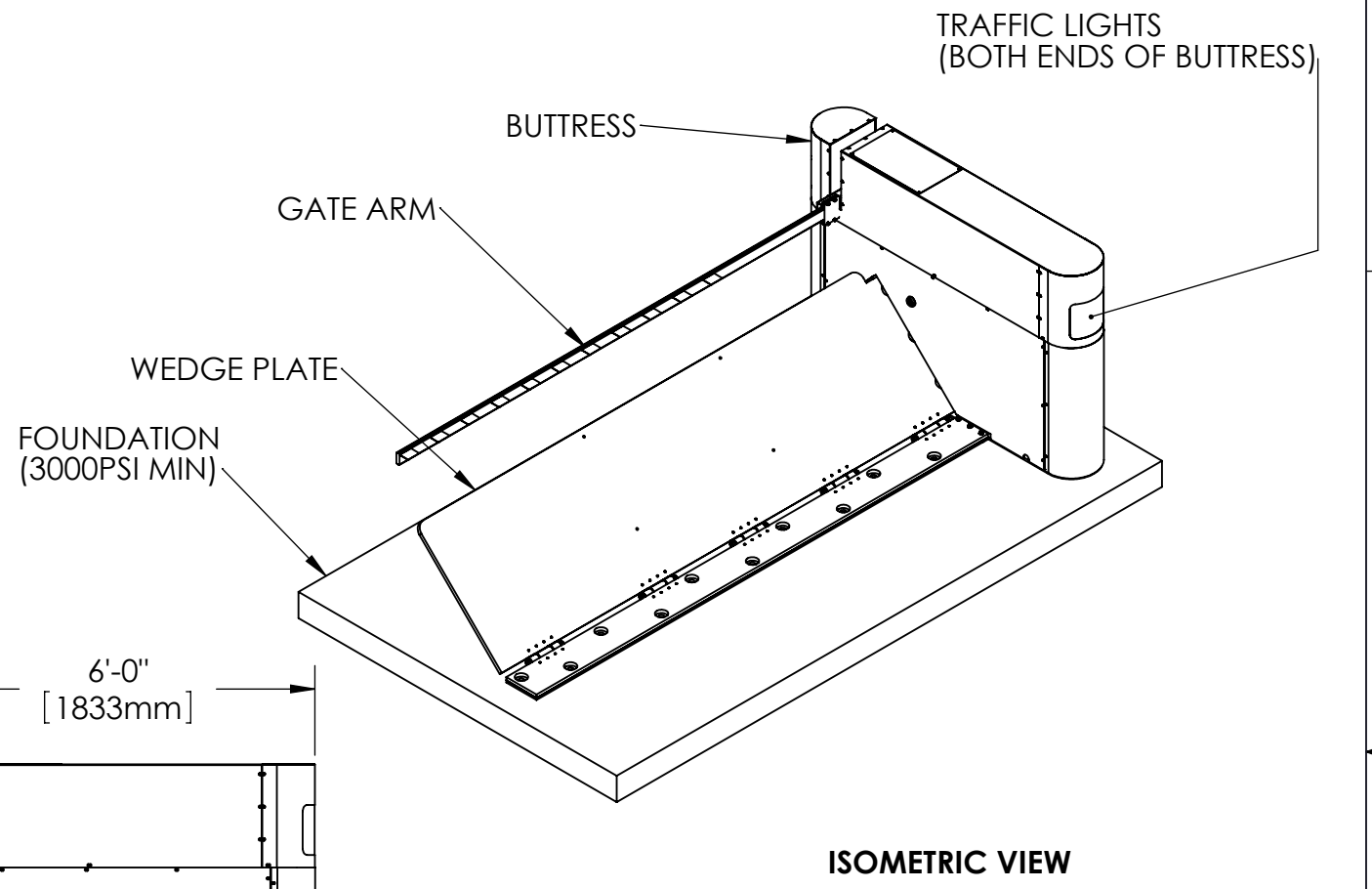


REVISIONS				
REV.	DESCRIPTION	DATE	DRAWN BY	APPROVED
A	ADDED NOTES, ADDED METRIC DIMENSIONS, CHANGED DRAWING NAME	8/4/2010	M.S	R.S



- NOTE:**
1. INSTALLATION TO BE COMPLETED IN ACCORDANCE WITH MANUFACTURERS SPECIFICATIONS
 2. ENTRY BARRIER SHOWN (GATE ARM ON ATTACK SIDE).
 3. CRASH RATING: 5000LB (2250KG) @ 40MPH (64KM) P40
 4. REBAR REQUIRED: 115LB

PROPRIETARY AND CONFIDENTIAL
 THIS DRAWING, UNLESS OTHERWISE NOTED, REMAINS CONFIDENTIAL PROPERTY AND IS DESCRIBED AS TRADE SECRET. IT SHALL NOT BE DISCLOSED, REPRODUCED OR USED FOR MANUFACTURE, DESIGN OR CONSTRUCTION WITHOUT THE EXPRESS AUTHORIZATION OF SECUREUSA, INC. THE RECIPIENT BY ACCEPTING THIS DRAWING ASSUMES CUSTODY THEREOF AND UNDER THE ABOVE TERMS SHALL NOT TO ALLOW USE BY UNAUTHORIZED PERSONS.
 ©2006 SECUREUSA INC. (ALL RIGHTS RESERVED)

CAD GENERATED DRAWING NO MANUAL REVISIONS ALLOWED		SECURE USA A Safer Future™		SecureUSA, Inc. 1649 NW 136th Ave. Sunrise, FL 33323 Toll Free: 888.222.4559 www.SecureUSA.net	
TOLERANCES UNLESS OTHERWISE SPECIFIED DIMENSIONS ARE: INCHES X/X ±1/16 X ±0.1 XX ±0.02 XXX ±0.005 ANGLE ±30MIN BREAK ALL SHARP EDGES DO NOT SCALE DRAWING		DRAWN BY AA CHECKED AA APVD		DESCRIPTION 24 IN 10 FT LH SURFACE MOUNTED FUTUREWEDGE BARRIER	
THIRD ANGLE PROJECTION		MATERIAL		SIZE DWG NO	
FINISH AS PER P.O.		DATE 12/16/2008		REV A	
VERSION 1.0		SCALE: 1:30		WEIGHT: 2031.14	
				SHEET 1 OF 1	

S:\Resource\SecureUSA Products\Product Drawing Files\Wedge Barriers\24XX\General Arrangements\